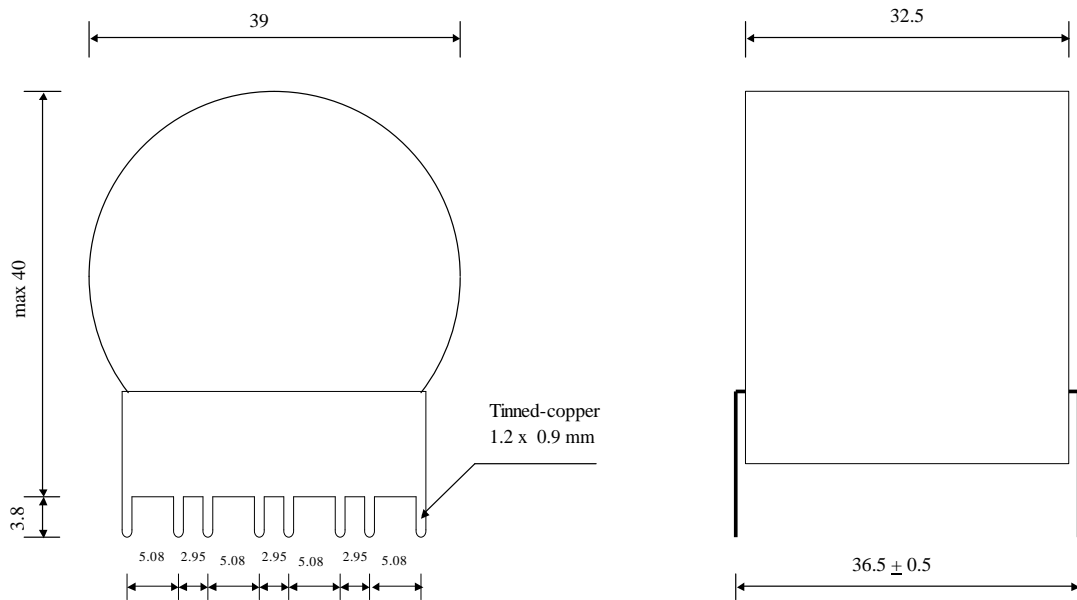


#5727

Power Electronics Capacitors

MKTCI 8-100.0 K



Dielectric of metallized polyester

Polyester wrapped / Epoxy resin sealing

Terminals for connection to Printed Circuit Board

Parameter	Symbol		Value	Unit	Condition
Capacitance	C		100	$\mu\text{F}$	1 V / 1 kHz
Tolerance			$\pm 10$	%	
Rated voltage	$U_n$ DC		80	VDC	100°C
RMS current	I RMS ma		15	A <sub>eff</sub>	40 kHz ... 50 kHz
slope of voltage variation	du/dt max.		10	V/ $\mu\text{sec}$	max. repetitive
Repetitive surge current	I cr. max		1000	A	
Tangent delta	$\text{tg}\delta$		$\leq 70$	$10^{-4}$	1 kHz
Equivalent serie resistance	ESR		$\leq 4$	m $\Omega$	10 kHz
Stray inductance	ESL		$\leq 15$	nH	
Insulation resistance	R <sub>i</sub>		$> 100$	M $\Omega$	10 VDC - 1 min
Test voltage between terminals	U T1		160	VDC	10 s
Operating temperature			- 55 / + 125 °C		
Dimension	Symbol			Unit	Conditions
Diameter			39	mm	
Height			40	mm	
Length			32.5	mm	
Terminals					
Tinned-copper	( 8 x )		1.2 x 0.9	mm	
	M1				
	M0				
	Modification	Date	Visa émetteur		

Condensateurs CH 1400 Yverdon-les-Bains  
 Kondensatoren Tel.: ++41 24 445 66 88  
 Capacitors Fax: ++41 24 445 66 89

**Le lanché**  
**Capacitors**  
A TROSCHEIT & FÄRSCHE COMPANY

HJJ

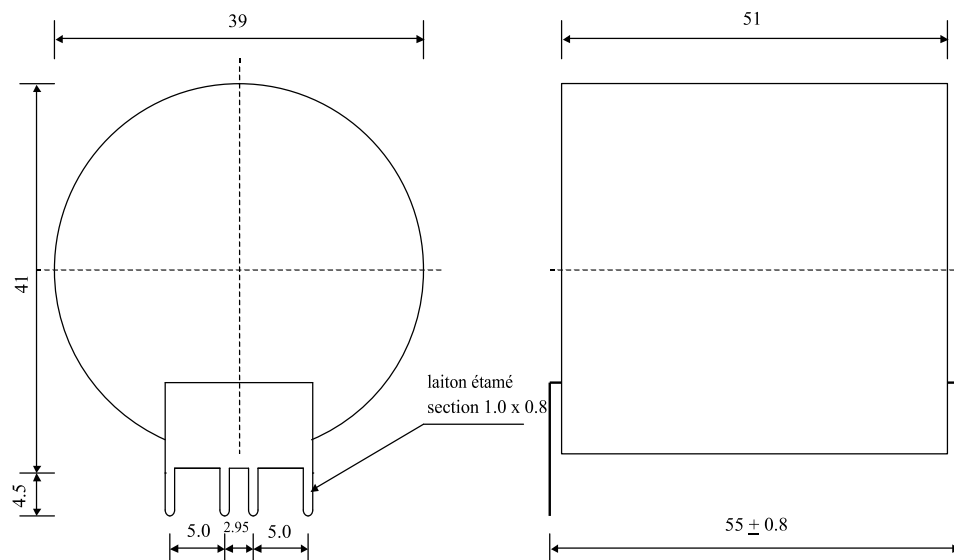
02.06.2008

faisab5727.XLS

#5620

Power Electronics Capacitors

MKTCI 8-300.0 K

Preliminary  
datasheet

Printed circuit board mounting / Plastic sleeve

Dielectric of metallized polyester / Epoxy resin sealing

Parameter	Symbol		Value	Unit	Condition
Capacitance	C		300	μF	1 V / 1 kHz
Tolerance			± 10	%	
Rated voltage	Un DC		80	VDC	
Rated voltage	Un AC			Veff	50 to 300 Hz
RMS current	I RMS max.			Aeff	
slope of voltage variation	du/dt max.		2	V/μsec	max. repetitive
Repetitive surge current	I cr. max		600	A	
Tangente delta	tgδ		≤ 80	10 <sup>-4</sup>	1 kHz
Serie resistance	RS		≤ 2.8	mΩ	1 V / 10 kHz
Stray inductance	ESL		≤ 15	nH	
Insulation resistance	Ri x C		> 10'000	s	50 VDC - 1 min
Test voltage between terminals	U T1		130	VDC	10 s
Climatic category			40/85/56		
Estimated operational life (-3%)					
Dimension	Symbol			Unit	Conditions
Width	B		39	mm	
Length	L		51	mm	
Height	H		41	mm	
Terminals tinned wire 4 x			1 x 0.8	mm	
	M1				
	M0				
	Modification	Date	Visa émetteur		

Condensateurs CH 1401 Yverdon-les-Bains  
 Kondensatoren Tel.: ++41 24 445 66 88  
 Capacitors Fax: ++41 24 445 66 89

**Le lanché**  
**Capacitors**  
A FISCHER & VAUGHAN COMPANY

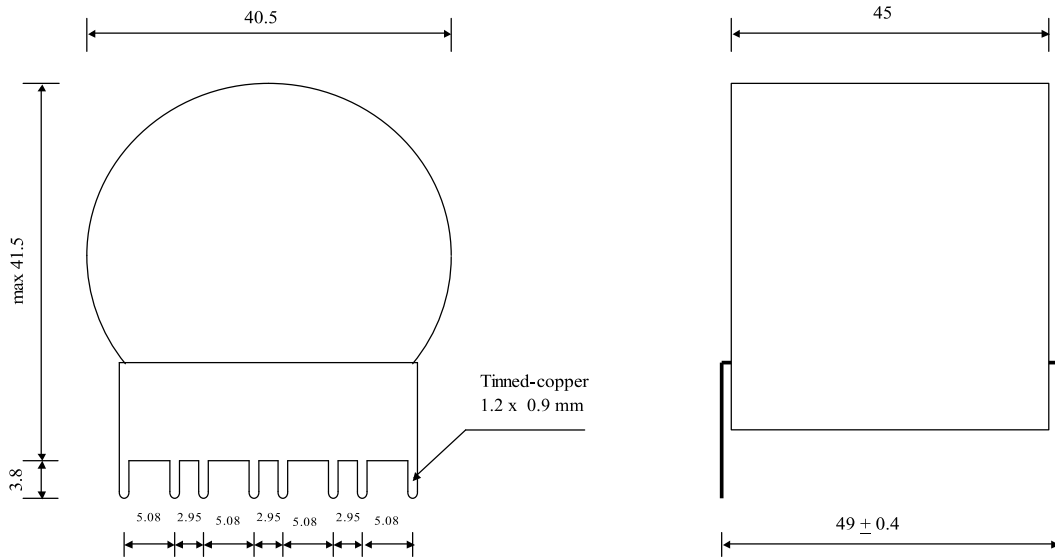
HJJ

11.12.2006

faisab5620.XLS

## Power Electronics Capacitors

**MKTCl 40-15.0 (K)**



Dielectric of metallized polyester

Polyester wrapped / Epoxy resin sealing

Terminals for connection to Printed Circuit Board

Parameter	Symbol	Value	Unit	Condition
Capacitance	C	15	μF	1 V / 1 kHz
Tolerance		± 10	%	
Rated voltage	Un DC	400	VDC	100°C
RMS current	I RMS max.	14	A <sub>eff</sub>	20kHz
slope of voltage variation	du/dt max.	110	V/μsec	max. repetitive
Repetitive surge current	I cr. max		A	
Tangent delta	tgδ		1C <sup>-4</sup>	1 kHz
Equivalent serie resistance	ESR		mΩ	100 kHz
Stray inductance	ESL		nH	
Insulation resistance	Ri		MΩ	100 VDC - 1 min
Test voltage between terminals	U T1		VDC	10 s
Operating temperature		- 55 / + 115 °C		
Dimension	Symbol		Unit	Conditions
Diameter		40.5	mm	
Height		41.5	mm	
Length		45	mm	
Terminals				
Tinned-copper	( 8 x )	1.2 x 0.9	mm	
	M1			
	M0			
	Modification	Date	Visa émetteur	

Condensateurs CH 1400 Yverdon-les-Bains  
 Kondensatoren Tel.: ++41 24 445 66 88  
 Capacitors Fax: ++41 24 445 66 89



FS  
06.06.2008

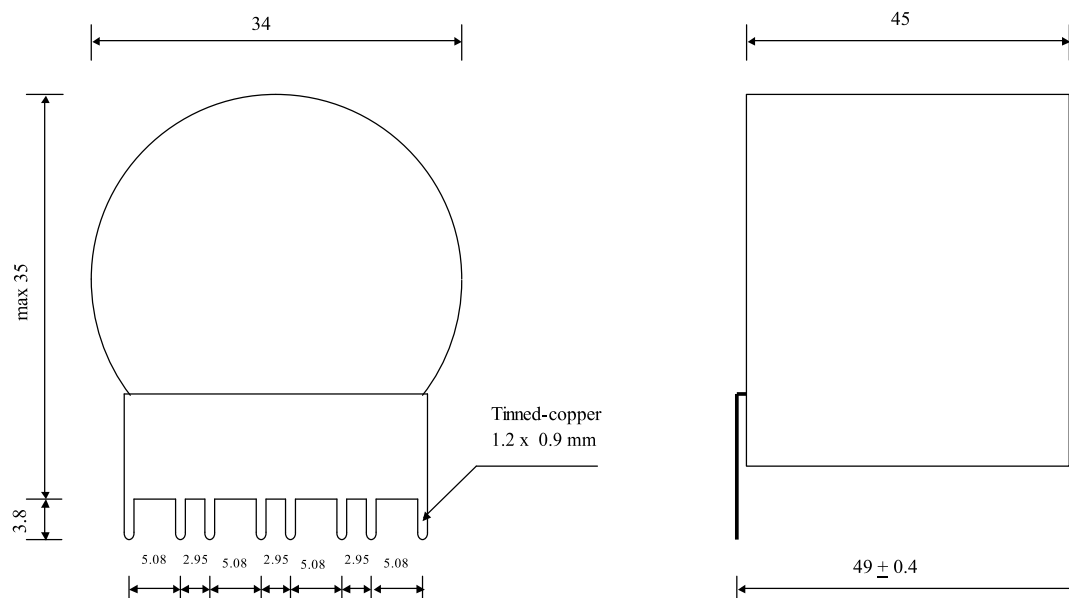
faisab.XLS



#5676

## Power Electronics Capacitors

MKTCI 100-11.0 K



Dielectric of metallized polyester

Polyester wrapped / Epoxy resin sealing

Terminals for connection to Printed Circuit Board

Parameter	Symbol		Value	Unit	Condition
Capacitance	C		11	μF	1 V / 1 kHz
Tolerance			± 10	%	
Rated voltage	Un DC		1000	VDC	100°C
RMS current	I RMS max.		10	Aeff	100 kHz
Tangent delta	tgδ		≤ 70	10 <sup>-4</sup>	1 kHz
Equivalent serie resistance	ESR		≤ 11.0	mΩ	100 kHz
Stray inductance	ESL		≤ 15	nH	
Insulation resistance	Ri		> 920	MΩ	100 VDC - 1 min
Test voltage between terminals	U T1		1600	VDC	10 s
Operating temperature			- 55 / + 125 °C		
Dimension	Symbol			Unit	Conditions
Diameter			34	mm	
Height			35	mm	
Length			45	mm	
Terminals					
Tinned-copper	( 8 x )		1.2 x 0.9	mm	
	M1				
	M0				
	Modification	Date	Visa émetteur		

Condensateurs CH 1400 Yverdon-les-Bains  
 Kondensatoren Tel.: ++41 24 445 66 88  
 Capacitors Fax: ++41 24 445 66 89

**Le lanché**  
**Capacitors**  
A FTSCHNEIR & FAUSCHKE COMPANY

HJJ

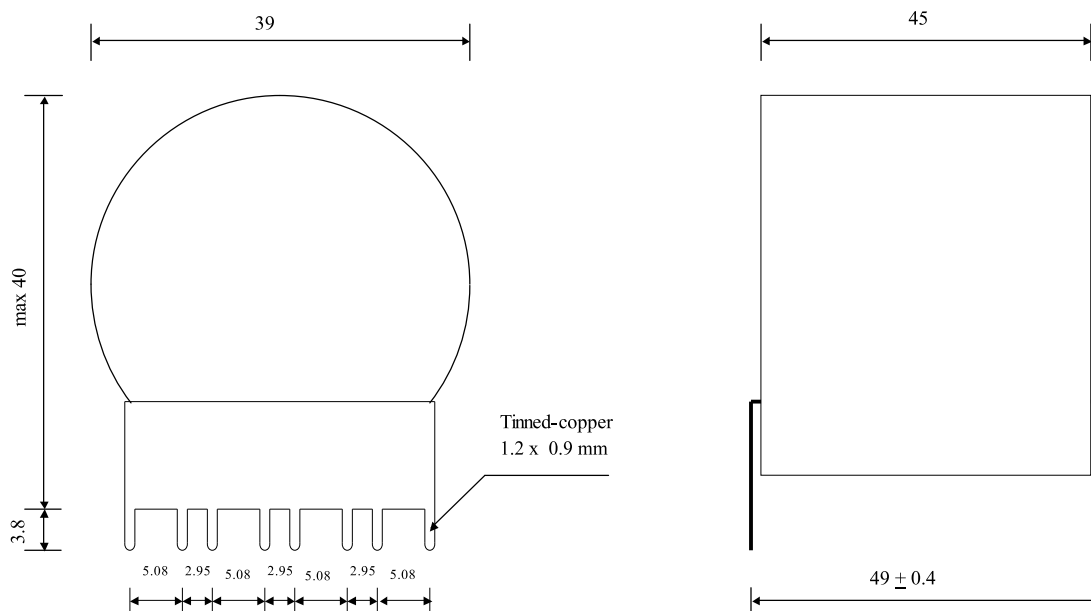
02.07.2007

faisab5676.XLS

#5673

Power Electronics Capacitors

MKTCI 100-14.0 K



Dielectric of metallized polyester

Polyester wrapped / Epoxy resin sealing

Terminals for connection to Printed Circuit Board

Parameter	Symbol		Value	Unit	Condition
Capacitance	C		14	$\mu\text{F}$	1 V / 1 kHz
Tolerance			$\pm 10$	%	
Rated voltage	Un DC		1000	VDC	100°C
RMS current	I RMS max.		12	Aeff	100 kHz
Tangent delta	tg $\delta$		$\leq 70$	$10^{-4}$	1 kHz
Equivalent serie resistance	ESR		$\leq 10.0$	m $\Omega$	100 kHz
Stray inductance	ESL		$\leq 15$	nH	
Insulation resistance	Ri		$> 720$	M $\Omega$	100 VDC - 1 min
Test voltage between terminals	U T1		1600	VDC	10 s
Operating temperature			- 55 / + 125 °C		
Dimension	Symbol			Unit	Conditions
Diameter			39	mm	
Height			41	mm	
Length			45	mm	
Terminals					
Tinned-copper	( 8 x )		1.2 x 0.9	mm	
	M1				
	M0	13.08.2007	HJJ		
	Modification	Date	Visa émetteur		

Condensateurs  
Kondensatoren  
Capacitors

CH 1400 Yverdon-les-Bains  
Tel.: ++41 24 445 66 88  
Fax: ++41 24 445 66 89

**Le laniché**  
**Capacitors**  
A FISCHER & FRANKE COMPANY

HJJ

15.06.2007

faisab5673.XLS