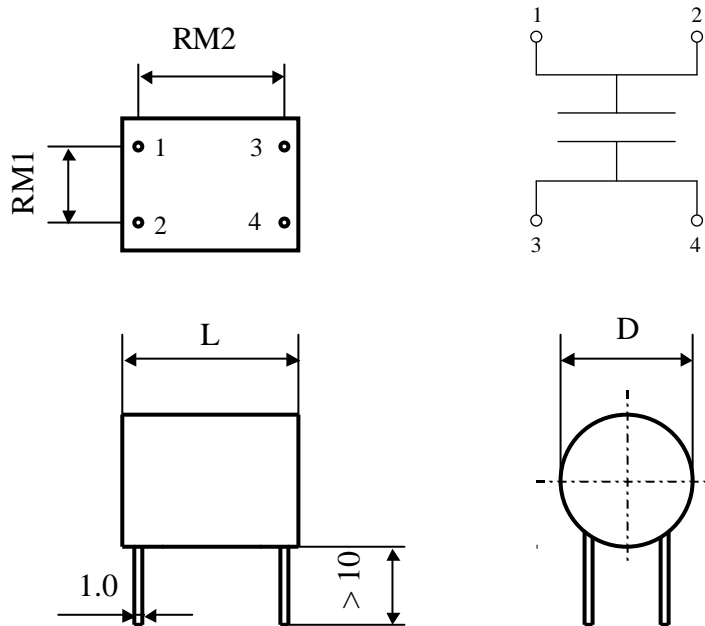


#5801

Power Electronics Capacitors

MKT-4 25-15.0 a K



Dielectric : metallized polyester
Polyester wrapped UL 510
V0

Epoxy resin sealing UL 94-

Parameter	Symbol		Value	Unit	Condition
Capacitance	C		15	μF	1 V / 1 kHz
Tolerance			± 10	%	
Rated voltage	Un DC		250	VDC	100 °C
Rated voltage	Un AC		70	Veff	50 Hz
RMS current	I RMS max.		8	Aeff	300 kHz / 105°C
Tangent delta	tg δ		≤ 90	10^{-4}	1 V / 1 kHz
Equivalent serie resistance	ESR		≤ 6.0	m Ω	300 kHz
Stray inductance	ESL		≤ 14	nH	
Insulation resistance	Ri		> 666	M Ω	100 VDC - 1 min
Test voltage between terminals	U T1		400	VDC	10 s
Operating temperature			- 55 / + 125 °C		
Dimension	Symbol			Unit	Conditions
Diameter	D		20	mm	
Length	L		33	mm	
Terminals					
Radial tinned wire	\emptyset		1	mm	
RM1			10 ± 0.5	mm	
RM2			29 ± 0.5	mm	
	M1				
	M0				
	Modification	Date	Visa émetteur		

Condensateurs CH 1400 Yverdon-les-Bains
Kondensatoren Tel.: ++41 24 445 66 88
Capacitors Fax: ++41 24 445 66 89

Le lanché
Capacitors
A FISCHER & TALENTE COMPANY

HJJ

27.03.2009

faisab5801.XLS