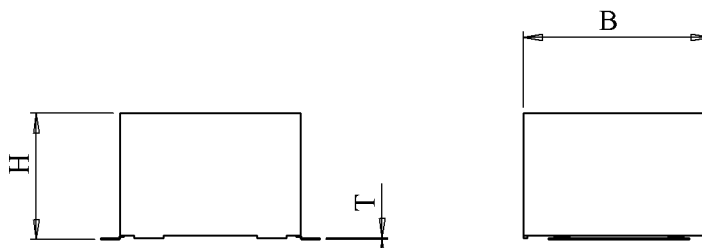
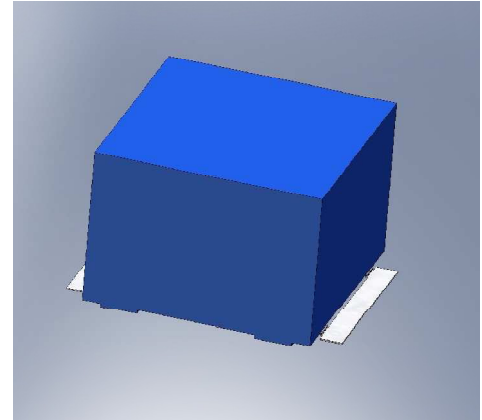
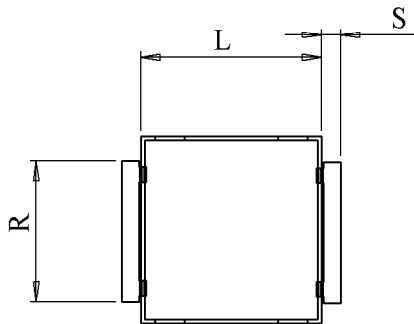


#5873

Power Electronics Capacitors

MKT 5-300.0 SMF K

PRELIMINARY



Surface mount device - Self-extinguishing plastic housing
Dielectric metallized polyester - Epoxy resin sealing UL 94-V0

| Parameter | Symbol | | Value | Unit | Condition |
|--------------------------------|--------------|------|----------------|--------------------|-----------------|
| Capacitance | C | | 300 | μF | 1 V / 1 kHz |
| Tolerance | | | ± 10 | % | |
| Rated voltage | Un DC | | 50 | VDC | |
| RMS current | I RMS max. | | 12 | Aeff | 50 kHz / 105 °C |
| Slope of voltage variation | du/dt max. | | 8.9 | V/ μsec | max. repetitive |
| Repetitive surge current | I cr. max | | 2670 | A | |
| Tangent delta | tg δ | | ≤ 150 | 10^{-4} | 1 kHz |
| Equivalent serie resistance | ESR | | ≤ 3.4 | m Ω | 50 kHz |
| Stray inductance | ESL | | ≤ 7 | nH | |
| Insulation resistance | Ri | | > 4 | M Ω | 50 VDC - 1 min |
| Test voltage between terminals | U T1 | | 80 | VDC | 10 s |
| Climatic category | | | 55/125/21 | | |
| Dimension | Symbol | | | Unit | Conditions |
| Width | B max | | 32.5 | mm | |
| Height | H max | | 22 | mm | |
| Length | L max | | 31.5 | mm | |
| Terminals | | | | | |
| | R | | 24 ± 0.5 | mm | |
| | S | | 3.0 ± 0.25 | mm | |
| | T max | | 0.3 | mm | |
| | M1 | | | | |
| | M0 | | | | |
| | Modification | Date | Visa émetteur | | |

Condensateurs CH 1400 Yverdon-les-Bains
Kondensatoren Tel.: ++41 24 445 66 88
Capacitors Fax: ++41 24 445 66 89

Le lanché
Capacitors
A FISCHER & TASSCHÉ COMPANY

HJJ

06.11.2009

faisab5873.XLS