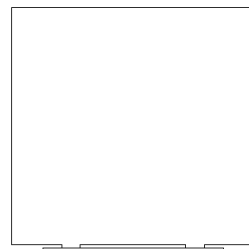
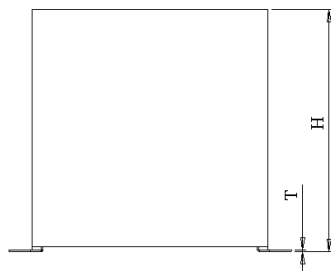
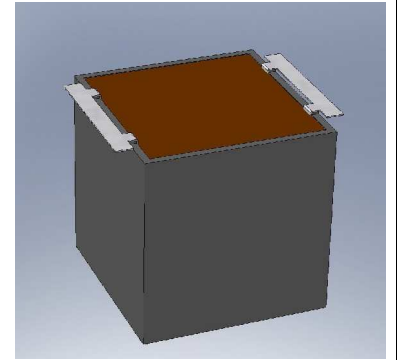
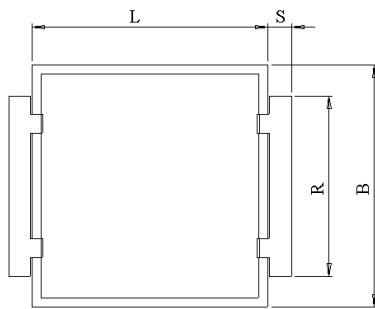


#6170

Power Electronics Capacitors

MKT 20-47.0 SMF K



Surface mount device - Self-extinguishing plastic housing  
 Dielectric metallized polyester - Epoxy resin sealing UL 94-V0  
 Measurement and test conditions EN 130'000 - EN 132200

Parameter	Symbol		Value	Unit	Condition
Capacitance	C		47	$\mu\text{F}$	1 V / 1 kHz
Tolerance			$\pm 10$	%	
Rated voltage	Un DC		200	VDC	
RMS current	I RMS max.		15	A <sub>eff</sub>	100 kHz / 105 °C
slope of voltage variation	du/dt max.		12	V/ $\mu\text{sec}$	max. repetitive
Repetitive surge current	I cr. max		564	A	
Tangent delta	tg $\delta$		$\leq 95$	$1\text{c}^{-4}$	1 kHz
Equivalent serie resistance	ESR		$\leq 4.0$	m $\Omega$	100 kHz
Stray inductance	ESL		$\leq 10$	nH	
Insulation resistance	Ri		$> 54$	M $\Omega$	100 VDC - 1 min
Test voltage between terminals	U T1		320	VDC	10 s
Climatic category			55/125/21		
Dimension	Symbol			Unit	Conditions
Width	B max.		32.5	mm	
Height	H max.		32.5	mm	
Length	L max.		31.5	mm	
Terminals					
	R		$24 \pm 0.5$	mm	
	S		$3.0 \pm 0.25$	mm	
	T max.		0.3	mm	
	M1				
	M0				
	Modification	Date	Visa émetteur		

Condensateurs CH 1400 Yverdon, Switzerland  
 Kondensatoren Tel.: ++41 24 445 66 88  
 Capacitors Fax: ++41 24 445 66 89

**Leclanché**  
**Capacitors**  
A FISCHER & TAUSSCH COMPANY

HJJ

www.Lcap.ch  
 26.03.2013

capinfo@Lcap.ch  
 faisab6170.XLS