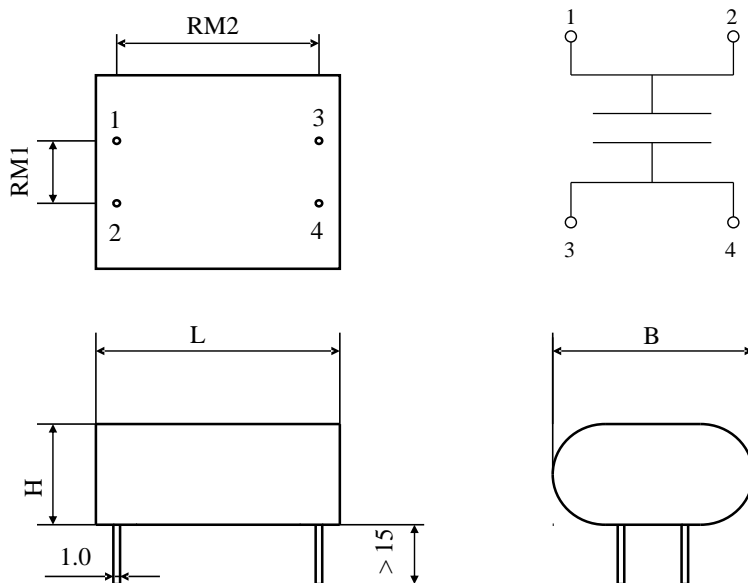


#6226

Power Electronics Capacitors

MKT-4 63-3.9 a K



Dielectric of metallized polyester

Polyester wrapped flammability UL 510 / Epoxy resin sealing UL 94-V0

Parameter	Symbol	Value	Unit	Condition
Capacitance	C	3.9	μF	1 V / 1 kHz
Tolerance		± 10	%	
Rated voltage	U_r	630	VDC	85°C
RMS current	I RMS max.	8	A _{eff}	100 kHz / 105°C
slope of voltage variation	du/dt max.	65	V/ μsec	max. repetitive
Repetitive surge current	I cr. max	254	A	
Tangente delta	$\text{tg}\delta$	≤ 90	10^{-4}	1 kHz
Equivalent serie resistance	ESR	≤ 10.0	m Ω	100 kHz
Stray inductance	ESL	≤ 15	nH	
Insulation resistance	Ri	> 641	M Ω	500 VDC - 1 min
Test voltage between terminals	U T1	1010	VDC	10 s
Climatic category		55/125/21		
Dimension	Symbol		Unit	Conditions
Width	B max	32	mm	
Height	H max	22	mm	
Length	L max	31.5	mm	
Terminals				
Radial tinned wire	\varnothing	1	mm	
RM1		15.24 \pm 0.7	mm	
RM2		27.94 \pm 0.7	mm	
	M1			
	M0			
	Modification	Date	Visa émetteur	

Condensateurs CH 1400 Yverdon, Switzerland
 Kondensatoren Tel.: ++41 24 445 66 88
 Capacitors Fax: ++41 24 445 66 89

Leclanché
Capacitors
© FROEYER & FABRISCHKE COMPANY

HJJ

www.Lcap.ch
 14.11.2013

capinfo@Lcap.ch
 faisab6226.XLS