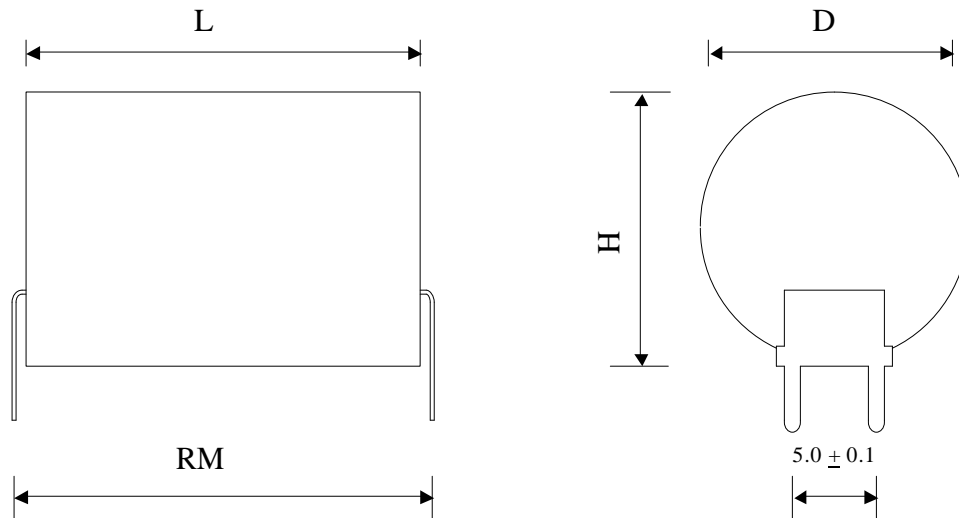


#5991

HIGH TEMPERATURE FILM CAPACITORS

MKSCI 10-20.0 K



Dielectric of metallized polyphenylene sulfide  
 Polyester wrapped, Flammability UL 510  
 Epoxy resin sealing UL 94-V0  
 Terminals for connection to printed board

Parameter	Symbol		Value	Unit	Condition
Capacitance	C		20	$\mu\text{F}$	1 V / 1 kHz
Tolerance			$\pm 10$	%	
Rated voltage	Un DC		100	VDC	85°C
Tangent delta	$\text{tg}\delta$		$\leq 15$	$10^{-4}$	1 V / 1 kHz / 22°C
Stray inductance	ESL		$\leq 20$	nH	
Insulation resistance	Ri		$> 500$	M $\Omega$	100 VDC - 1 min
Test voltage between terminals	U T1		160	VDC	1 min
Operating temperature			- 40 to + 85	°C	
Dimension	Symbol			Unit	Conditions
Diameter	D max		21	mm	
Height	H max		22	mm	
Length	L max		33.5	mm	
Terminals					
Tinned brass	( 4 x )		1.0 x 0.8	mm	
RM			$37.5 \pm 0.7$	mm	
	M1				
	M0				
	Modification	Date	Visa émetteur		

Condensateurs CH 1400 Yverdon, Switzerland  
 Kondensatoren Tel.: ++41 24 445 66 88  
 Capacitors Fax: ++41 24 445 66 89

**Leclanché**  
**Capacitors**  
A FISCHER & TAUSSCHÉ COMPANY

HJJ

www.Lcap.ch  
 07.01.2011

capinfo@Lcap.ch  
 faisab5991.XLS