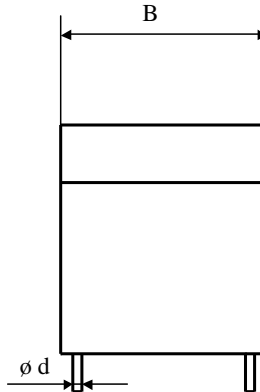
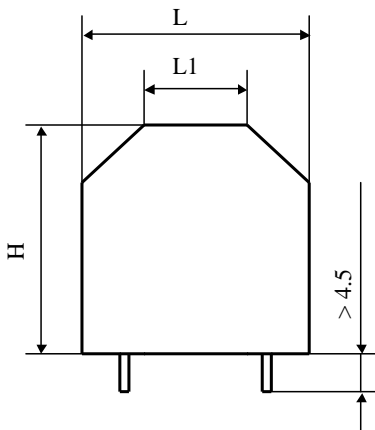
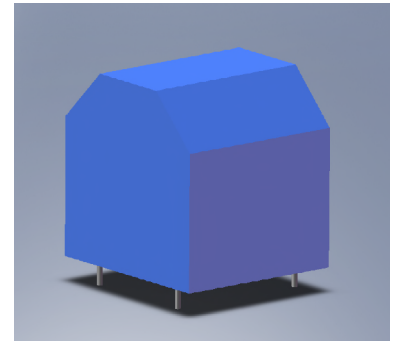
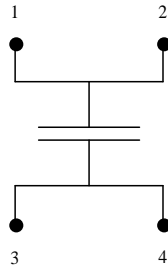
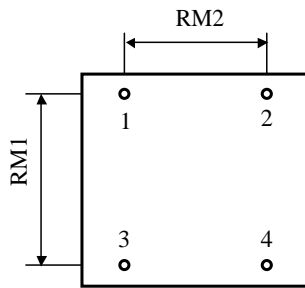


#6143

HIGH TEMPERATURE CAPACITORS

MKNJC-4 27-26.6 g K



Dielectric: PEN metallized

Printed circuit board  
mountingSelf-extinguishing plastic  
housing

Epoxy resin sealing

Parameter	Symbol	Value	Unit	Condition
Capacitance	C	26.6	µF	1 V / 1 kHz
Tolerance		± 10	%	
Rated voltage	Un DC	270	VDC	125°C
RMS current	I RMS max.	3.33	Aeff	125°C
Slope of voltage variation	du/dt max.	15	V/µsec	max. repetitive
Repetitive surge current	I cr. max	400	A	
Tangent delta	tgδ	≤ 46	1C <sup>4</sup>	1 kHz / 23 °C
Stray inductance	ESL	≤ 15	nH	
Insulation resistance	Ri x C	> 12'000	s	100 VDC - 1 min
Test voltage between terminals	U T1	480	VDC	10 s
Climatic category		40/125/56		
Dimension	Symbol	Value	Unit	Conditions
Width	B	36	mm	
Length	L	40	mm	
	L1	18	mm	
Height	H	40	mm	
Terminals tinned wire	ø d	1.2	mm	
RM1		30 ± 0.5	mm	
RM2		25 ± 0.5	mm	
	M1			
	M0			
	Modification	Date	Visa émetteur	

Condensateurs CH 1400 Yverdon, Switzerland  
 Kondensatoren Tel.: ++41 24 445 66 88  
 Capacitors Fax: ++41 24 445 66 89

**Leclanché**  
**Capacitors**  
A FISCHER & SONNICH COMPANY

HJJ

www.Lcap.ch  
 14.12.2012

capinfo@Lcap.ch  
 faisab6143.XLS