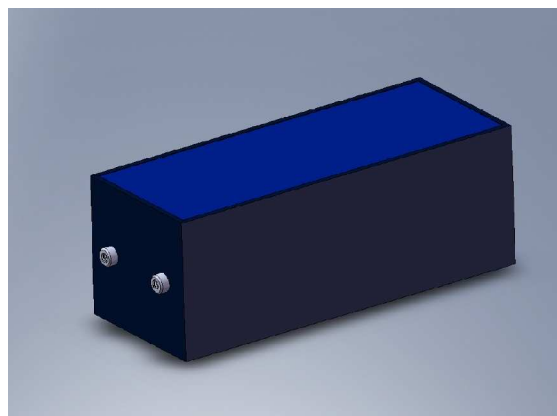
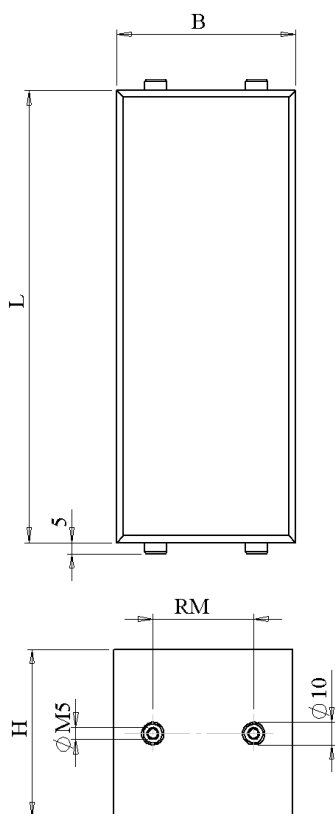


5890

Discharge capacitors

MIXHT 4000-125 ru1 K



Mixed dielectric
Film-foil

Plastic case

polyurethan resin filled

Paramètre	Symbol	Value	Unit	Condition
Capacitance	C	25	nF	20°C, 1 kHz
Tolérance		10	%	
Rated voltage	Un DC	40000	VDC	
Rated voltage	Un AC	2500	VAC	
Slope of voltage variation	du/dt max.	60'000	V/μs	max. repetitive
Repetitive surge current	I cr. max	1500	A	max. repetitive
Tangent delta	tgδ	≤ 25 E-4		1 V / 1 kHz / 25 °C
Estimated stray inductance	ESL	120	nH	
Insulation resistance	Ri x C	> 20'000	s	500 VDC - 1 min
Test voltage between terminals	U T1	70'000	VDC	1 min
Climatic category		25/70/56		
Estimated operational life		500'000	pulses	40000 V p-p

Dimension	Symbole	Value	Unit	Conditions
Width	B	80 ± 1	mm	
Height	H	75 ± 1	mm	
Length	L	202 ± 1	mm	
Terminals				
Thread 4 x		M5	mm	
Thread spacing	RM	45		

	M2			
	M1			
	M0			
	Modification	Date	Visa émetteur	

Condensateurs CH 1400 Yverdon-les-Bains
Kondensatoren Tel.: ++41 24 445 66 88
Capacitors Fax: ++41 24 445 66 89

Le Janché
Capacitors
A FISCHER & TALSCHER COMPANY

HJJ 17.12.2009

faisab5890.XLS