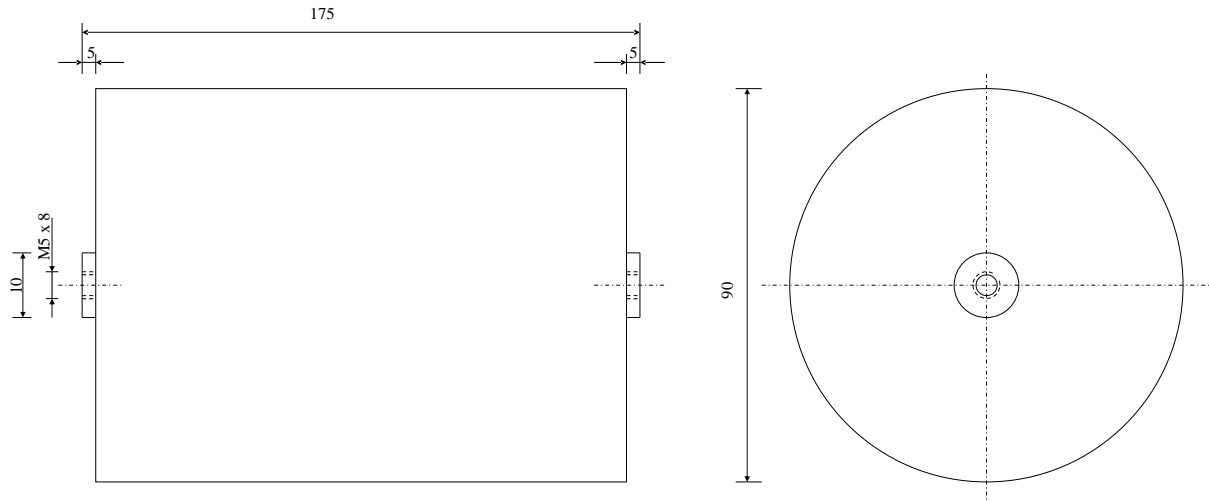


# 6272	Discharge capacitors	TYPE MIXHT 3000-115 uv K
--------	----------------------	-----------------------------



Mixed dielectric - Film-foil

Epoxy resin sealing

Paramètre	Symbol	Value	Unit	Condition
Capacitance	C	15	nF	20°C, 1 kHz
Tolérance		10	%	
Rated voltage	Un DC	30000	VDC	
Rated voltage	Un AC	2500	VAC	
Slope of voltage variation	du/dt max.	100'000	V/μs	max. repetitive
Repetitive surge current	I cr. max	1500	A	max. repetitive
Power loss factor	tgδ	≤ 20 E-4		1 V / 1 kHz / 25 °C
Stray inductance	ESL	≤ 115	nH	
Insulation resistance	Ri x C	> 20'000	s	500 VDC - 1 min
Test voltage between terminals	U T1	60000	VDC	1 min
Climatic category		25/70/56		

Dimension	Symbole	Unité	Conditions
Diameter	∅	mm	
Heigth	H	mm	
Terminals			
Thread		M5 x 8	mm

	M2		
	M1		
	M0		
	Modification	Date	Visa émetteur