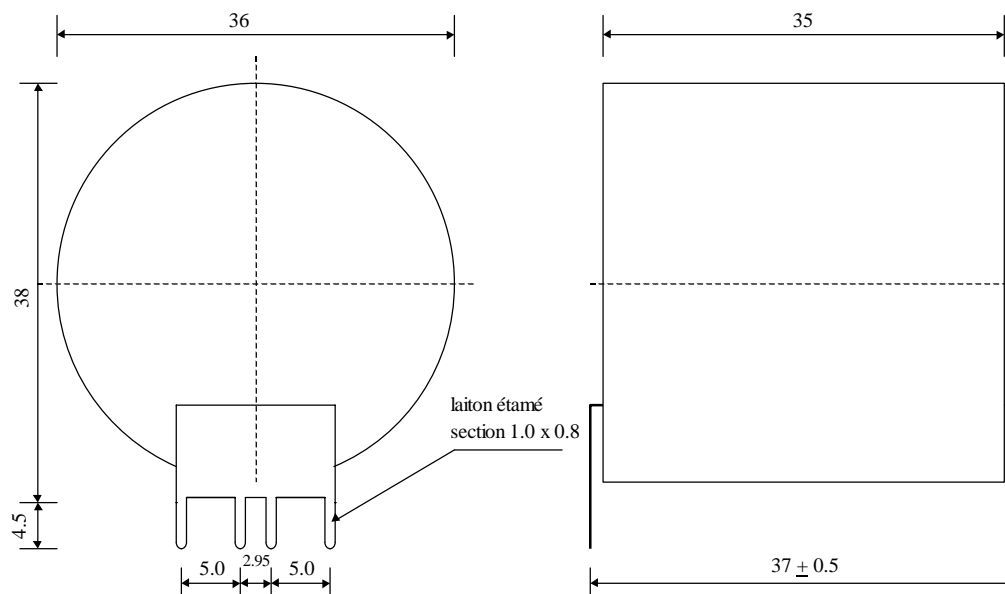


# 3563

## Electronic Power Capacitor

TYPE  
KPSCI 60-0795

Polyester exterior casing

Tinned brass contacts ideal for PCB connections

Epoxy resin end-seal (UL-V0)

Parameters	Symbol	Values	Unit	Conditions
Capacitance	C	0.795	μF	20°C, 1 kHz
Tolerance		± 5	%	
Nominal Voltage	Un DC	600	VDC	
	Un AC	350	VAC	6 s every 60 seconds
Tangent delta	tg δ	< 5 E-4		1 V - 1 kHz
Tangent delta dielectric	tg δ <sub>o</sub>	2 E-4		10 - 100 kHz
Serial resistance	Rs	< 2.5	mΩ	10 - 100 kHz
Insulation resistance	Ri	> 6300	MΩ	500 VDC
Permanent RMS	I rms	16	A rms	10 - 100 kHz
Intermittent RMS	I rms	50	A <sub>eff</sub>	6 s every 60 seconds
Test Voltage	Ut	800	VDC	6 s
Insulation under 500V	Ri	> 1000	MΩ	between connected terminals and ground
Ambient temperature		-40 / + 85°C		
Lifecycle		100000	h.	Un DC - 70°C

Dimensions	Symbol	Values	Unit	Conditions
Max diameter	D	36	mm	
Pitch	i	37	mm	

	M2			
	M1			
	M0	06.05.02	289 / JJH	
	Modification	Date	Author	

Condensateurs CH 1401 Yverdon-les-Bains

Kondensatoren Tel.: +41 24 445 66 88

Capacitors Fax: +41 24 445 66 89

289

12.01.01

KPSCI3563.XLS