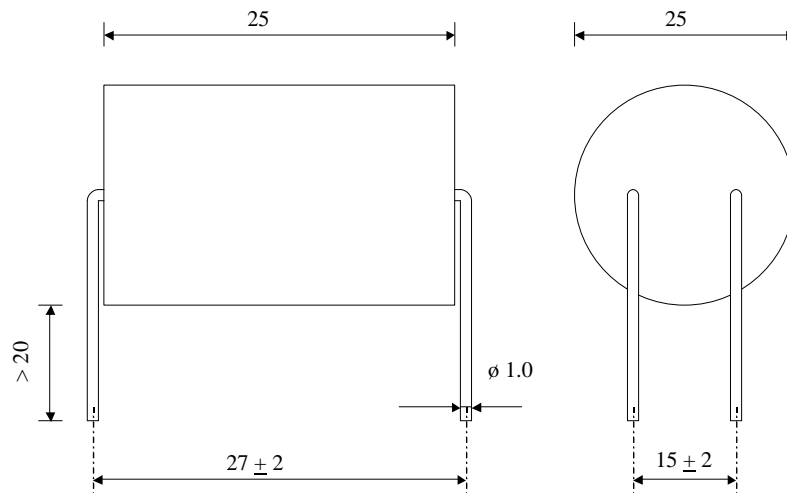


|        |  |                           |
|--------|--|---------------------------|
| # 5682 | METALLIZED POLYPROPYLENE<br>+ FILM-FOIL CAPACITORS | TYPE<br>KPS-4 200-115 d K |
|--------|--|---------------------------|



Dielectric: Polypropylene metallized + film-foil

Polyester wrapped / Epoxy resin sealing

| Paramètre                         | Symbol                | Value     | Unit             | Condition       |
|-----------------------------------|-----------------------|-----------|------------------|-----------------|
| Capacitance                       | C                     | 15        | nF               | 20°C, 1 kHz     |
| Tolérance                         |                       | 10        | %                |                 |
| Rated voltage                     | Un DC                 | 2000      | VDC              |                 |
| Rated voltage                     | Un AC                 | 650       | VAC              |                 |
| Slope of voltage variation        | du/dt max.            | 10'000    | V/μs             | max. repetitive |
| Repetitive surge current          | I cr. max             | 150       | A                | max. repetitive |
| RMS Current                       | I <sub>eff</sub> max. | 8         | A <sub>eff</sub> | f > 330 kHz     |
| Stray inductance                  | ESL                   | < 22      | nH               |                 |
| Serial resistance                 | Rs                    | 3         | mΩ               |                 |
| Tangent delta dielectric          | tgδ <sub>o</sub>      | 2         | 10 <sup>-4</sup> |                 |
| Insulation resistance             | Ri                    | > 100'000 | MΩ               | 500 VDC - 1 min |
| Test voltage between terminals    | U T1                  | 3000      | VDC              | 10 sec.         |
| Climatic category                 |                       | 40/85/56  |                  |                 |
| Estimated operational life (-3 %) |                       | 100'000   | h                | Un DC / 70°C    |

| Dimension             | Symbole | Unité | Conditions |
|-----------------------|---------|-------|------------|
| Diameter              | ∅       | 25    | mm         |
| Height                | H       | 25    | mm         |
| Terminals             |         |       |            |
| Axial tinned wire 4 x |         | ∅ 1.0 | mm         |

|   |              |      |               |
|---|--------------|------|---------------|
| Tentatives Values only, subject to technical modification | M2           |      |               |
|   | M1           |      |               |
|   | M0           |      |               |
|   | Modification | Date | Visa émetteur |