

Technical data

Nominal capacitance	C_N	38 $\mu\text{F} \pm 10\%$
Nominal voltage dc	U_{NDC}	900 V
Nominal voltage ac	U_{NAC}	200 V
Surge voltage	U_S	1350 V
Energy	W_N	15,4 Ws
Max. Peak periodic current	$\hat{I}_{\text{Periodic}}$	1750 A
Max. Pulse rise time	$\Delta U/\Delta t$	46 V/ μs
Series resistance @ 10 kHz	R_{ESR}	1,4 m Ω
Dissipation factor @ 1 kHz	$\tan\delta$	5,0 $\times 10^{-4}$
Self inductance	L_E	10,5 nH

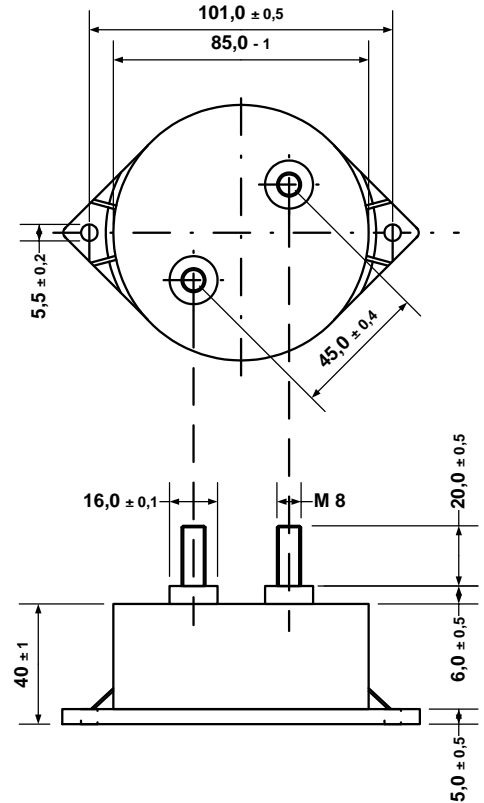
Max. Power loss
@ $\vartheta_{\text{hotspot}} 85^\circ\text{C}$ / nat. convection
@ 10kHz

P_{max}	@ ϑ_{case}	I_{max}
32,1 W	40 $^\circ\text{C}$	113,4 A
25,0 W	50 $^\circ\text{C}$	100,0 A
17,9 W	60 $^\circ\text{C}$	84,5 A
10,7 W	70 $^\circ\text{C}$	65,5 A

U_N -Derating

U_{Nmax}	@ ϑ_{case}
$U_N \times 1$	$\leq 70^\circ\text{C}$
$U_N \times 0,9$	$\leq 75^\circ\text{C}$
$U_N \times 0,8$	$\leq 80^\circ\text{C}$
$U_N \times 0,7$	$\leq 85^\circ\text{C}$

Min. Operating temperature	ϑ_{min}	-40 $^\circ\text{C}$
Max. Operating temperature ($I_R = 0$)	ϑ_{max}	+85 $^\circ\text{C}$
Storage temperature	ϑ_{Lager}	-40...+85 $^\circ\text{C}$
Thermal resistance (case hotspot)	R_{th}	2,5 $^\circ\text{C}/\text{W}$
Climatic category DIN IEC 68/1		40/085/21



Test Data

Test voltage between terminals U_{TT} 1350 V dc / 10s

Life expectancy @ hot spot 60°C 100 000 h

General technical data

Coating	plastic case with resin sealing Flame retardant according to UL 94V-0
Dielectric	polypropylene
Terminals	M8x20+ FI 16x8_3 M8x20+ FI 16x8_4
Weight	~ 320g