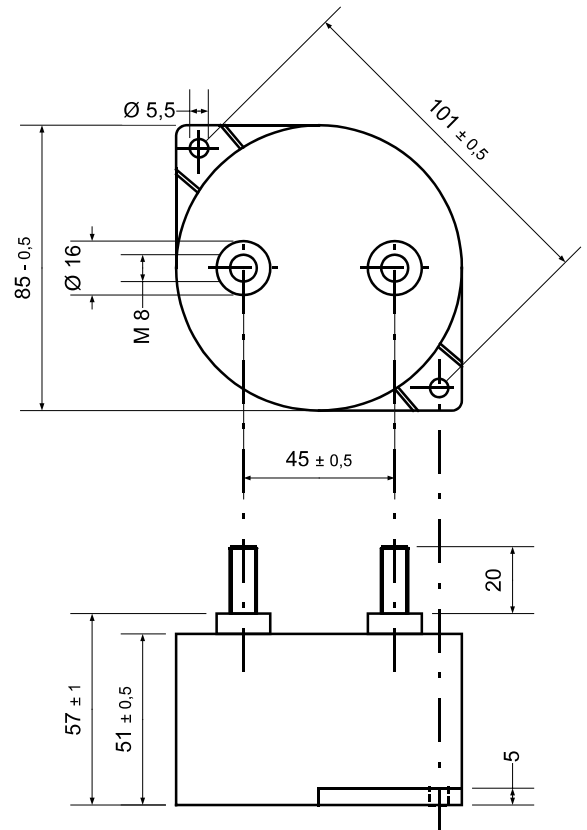


Film-Foil Capacitors

Technical data

Nominal capacitance	C_N	100 $\mu\text{F} \pm 10\%$
Nominal voltage dc	U_{NDC}	900 V
Energy	W_N	40,5 Ws
Nominal current	I_N	90 A
Max. Peak current	\hat{I}	2240 A
Max. Pulse rise time	$\Delta U/\Delta t$	22,4 V/ μs
Series resistance	R_{ESR}	< 1,0 m Ω
Dissipation factor	$\tan\delta$	2 x10 ⁻⁴
Self inductance	L_E	<15 nH
Min. Operating temperature	ϑ_{min}	-25 °C
Max. Operating temperature	ϑ_{max}	+85°C
Storage temperature	ϑ_{Lager}	-40...+85 °C
Climatic category DIN IEC 68/1		25/070/21



Test Data

Test voltage between terminals	U_{TT}	1350 V dc / 10s
--------------------------------	-----------------	-----------------

Life expectancy @ hot spot		30000 h 60 °C
--------------------------------------	--	------------------

General technical data

Coating	plastic case with resin sealing Flame retardant according to UL 94V-0
Dielectric	polypropylene
Terminals	nickel-plated brass M8 x 20
Weight	~ 0,4 kg

Other C/U combinations

Voltage [Vdc]	Capacitance [μF]	I_{rms} max [A]	L_E max [nH]	R_{ESR} [m Ω]	Order Code
500	200	90	< 15	< 0,9	CXPLP200 μ 500d085051
700	150	100	< 15	< 1,0	CXPLP150 μ 700d085051
900	100	90	< 15	< 1,0	CXPLP100 μ 900d085051
1100	70	100	< 15	< 1,3	CXPLP70 μ 1.1kd085051

Please ask for more details and other C/U - combinations

Condensateurs CH-1400 Yverdon-les-Bains
Kondensatoren Tél. : ++41 24 445 66 88
Capacitors Fax : ++41 24 445 66 89
capinfo@lcap.ch

Le lanché
Capacitors
A FISCHER & TAUSSIG COMPANY

04.06.2008