

date: 28.09.2009 10:36
issued by: db
version: 1.3
09.10.2009 14:05

Technical data

Nominal capacitance	C_N	140 $\mu\text{F} \pm 10\%$
Nominal voltage dc	U_{NDC}	800 V
Nominal voltage ac	U_{NAC}	115 V
Surge voltage	U_S	1200 V
Energy	W_N	44,8 Ws
Max. current /1 kHz @ Busbar Temp < 50 °C	I_{Max}	100 A
Max. periodic Peak current	$\hat{I}_{\text{Periodic}}$	2471 A
Max. Pulse rise time	$\Delta U/\Delta t$	17,7 V/ μs
Series resistance @ 10 kHz	R_{ESR}	1,6 m Ω
Dissipation factor @1 kHz	$\tan\delta$	15 $\times 10^{-4}$
Self inductance	L_E	< 10,5 nH

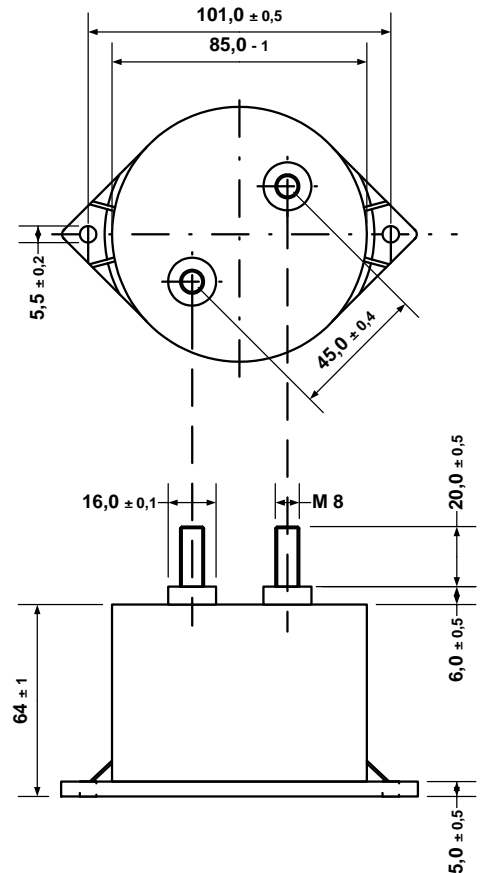
Max. power loss
@ $\vartheta_{\text{hotspot}} 85^\circ\text{C}$ / nat. convection
@ 10kHz

P_{max}	@ ϑ_{case}	I_{max}
14,5 W	40 °C	95,3 A
11,3 W	50 °C	84,0 A
8,1 W	60 °C	71,0 A
4,8 W	70 °C	55,0 A

U_N -Derating

U_{Nmax}	@ ϑ_{case}
$U_N \times 1$	$\leq 70^\circ\text{C}$
$U_N \times 0,9$	$\leq 75^\circ\text{C}$
$U_N \times 0,8$	$\leq 80^\circ\text{C}$
$U_N \times 0,7$	$\leq 85^\circ\text{C}$

Min. Operating temperature	ϑ_{min}	-40 °C
Max. Operating temperature ($I_R = 0$)	ϑ_{max}	+105 °C
Storage temperature	ϑ_{Lager}	-40...+105 °C
Thermal resistance (case hotspot)	R_{th}	3 °C/W
Climatic category DIN IEC 68/1		40/105/21



Test Data

Test voltage between terminations U_{TT} 1200 V dc / 10s

Life expectancy

@ hot spot 85°C	225 000 h
@ nominal voltage	640 Vdc
Failure rate @ ambient 45°C	100 Fit
@ nominal voltage	640 Vdc

General technical data

Coating	PA 66 plastic case with polyurethane resin sealing Flame retardant UL 94V-0 compliant
Dielectric	polypropylene
Terminals	nickel plates brass
Creepage distance	29 mm
Weight	~ 500g