

Technical data

Nominal capacitance	C_N	70 $\mu\text{F} \pm 10\%$
Nominal voltage dc	U_{NDC}	1100 V
Nominal voltage ac	U_{NAC}	200 V
Surge voltage	U_S	1650 V
Energy	W_N	42,3 Ws

Max. periodic Peak current	$\hat{I}_{\text{Periodic}}$	2040 A
Max. Pulse rise time	$\Delta U/\Delta t$	29,1 V/ μs
Series resistance @ 10 kHz	R_{ESR}	1,4 m Ω
Dissipation factor @1 kHz	$\tan\delta$	2 $\times 10^{-4}$
Self inductance	L_E	10,5 nH

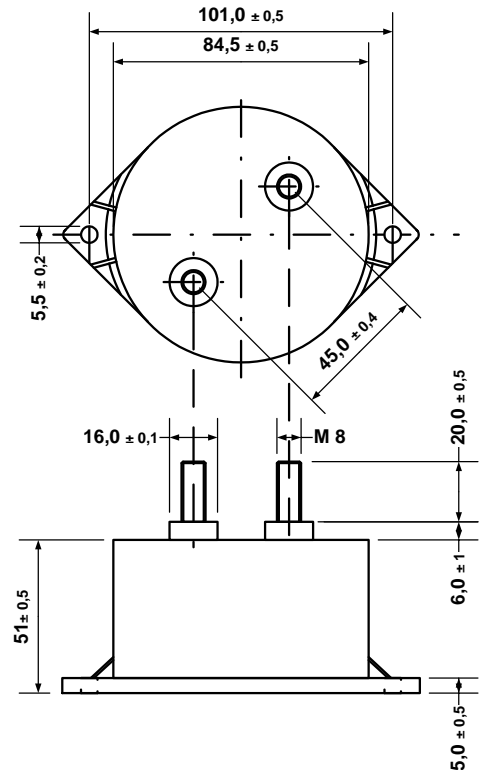
Max. power loss
@ $\vartheta_{\text{hotspot}} 85^\circ\text{C}$ / nat. convection
@ 10kHz

P_{max}	@ ϑ_{case}	I_{max}
14,5 W	40 $^\circ\text{C}$	101,8 A
11,3 W	50 $^\circ\text{C}$	89,8 A
8,1 W	60 $^\circ\text{C}$	75,9 A
4,8 W	70 $^\circ\text{C}$	58,8 A

U_N -Derating

U_{Nmax}	@ ϑ_{case}
$U_N \times 1$	$\leq 70^\circ\text{C}$
$U_N \times 0,9$	$\leq 75^\circ\text{C}$
$U_N \times 0,8$	$\leq 80^\circ\text{C}$
$U_N \times 0,7$	$\leq 85^\circ\text{C}$

Min. Operating temperature	ϑ_{min}	-40 $^\circ\text{C}$
Max. Operating temperature ($I_R = 0$)	ϑ_{max}	+85 $^\circ\text{C}$
Storage temperature	ϑ_{Lager}	-40...+85 $^\circ\text{C}$
Thermal resistance (case hotspot)	R_{th}	3,1 $^\circ\text{C/W}$
Climatic category DIN IEC 68/1		40/085/21



Test Data

Test voltage between terminals	U_{TT}	1650 V dc / 10s
--------------------------------	-----------------	-----------------

Life expectancy

@ hot spot 60°C		200 000 h
-------------------------------	--	-----------

General technical data

Coating	PA 66 plastic case with polyurethan resin sealing Flame retardant according to UL 94V-0
Dielectric	polypropylene
Terminals	nickel-plated brass M8 x 20
Torque M8	6 Nm
Weight	~ 500g