

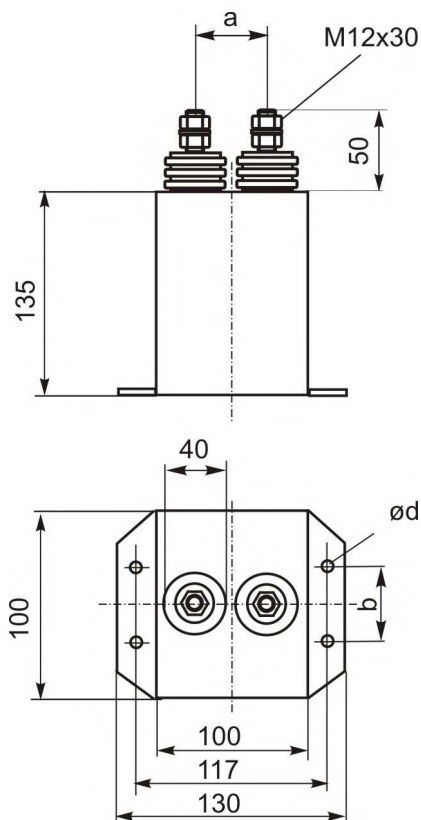
Order code: BHS 200-4.0 r (K) rev1
Application: AC/DC capacitor for overvoltage protection, damping, smoothing, filtering

Standard: acc. to IEC 61071:2007

Characteristics

Rated capacitance	C_N	4 μF -5/+10%
Rated d.c. voltage	U_{N DC}	2000 V d.c.
Rated a.c. voltage	U_{N AC}	1400 V a.c.
Rms voltage	U_{rms}	1000 V
Insulation voltage	U_i	7000 V
Non-recurrent surge voltage	u_s	6000 V
Rated energy	W_N	8 Ws
Maximum current	I_{max}	3 A
Maximum peak current	I_̂	2 kA
Maximum surge current	I_s	6 kA
Series resistance	R_s	2 mΩ
Tangent of the loss angle	tanδ_o	2 x 10 ⁻⁴
Self discharge time const.	C x R_{is}	10000 s
Self inductance	Le	~ 100 nH
Resonance frequency	f_r	~ 250 kHz

outline drawing



Thermal conditions

Lowest operating temperature	Θ_{min}	-25 °C
Maximum operating temperature	Θ_{max}	70 °C
Thermal resistance	R_{th}	~ 6.3 K/W

Storage temperature	Θ_{storage}	-40..+85 °C
Humidity class		C

Failure rate

		100 FIT
at Θ _{hotspot}		60 °C
Reference service life		100000 h

Test data

Voltage test between terminals	U_{BB}	6000 V DC/10s
A.C. voltage test terminal/case	U_{BG}	15000 V AC/10s

Dimensions ¹⁾

Height of the case	H	135 mm
Length of the case	L	100 mm
Width of the case	W	100 mm
Distance of terminals	a	45 mm
Distance of mounting holes	b	50 mm
Diameter of mounting holes	d	9 mm
Clearance in air	L	30 mm
Creepage distance	K	43 mm

Approx weight 2 kg

Mechanical characteristics

Dielectric	MKP-AC/DC - metallized polypropylene capacitor, self-healing
Construction	Stainless steel case, welded, brass terminals, plastic insulators (V0 UL94)
Protection	without internal fuse, to be used only in uncritical environment
Impregnant	dry type ,resin moulded (Non PCB)
Fire load	60MJ