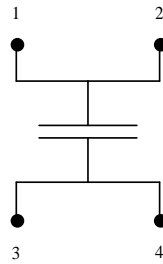
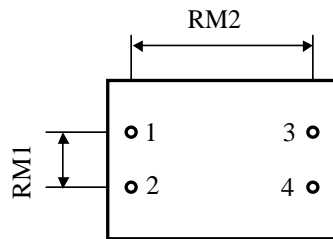


#6048

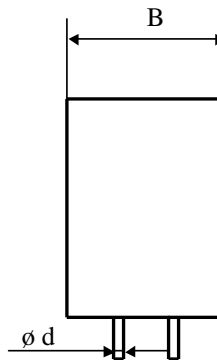
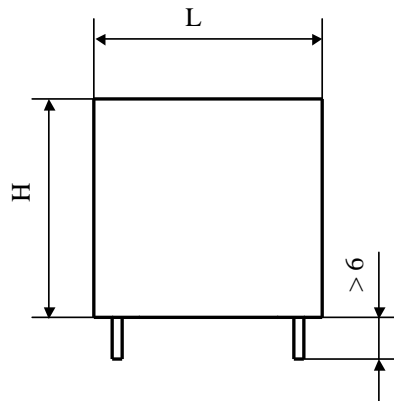
METALLIZED POLYPROPYLENE CAPACITORS

PPM-4 80-23.0 g K

PRELIMINARY



Printed circuit board mounting



Self-extinguishing plastic housing

Epoxy resin sealing

Parameter	Symbol	Value	Unit	Condition
Capacitance	C	23	μF	1 V / 1 kHz
Tolerance		± 10	%	
Rated voltage	Un DC	800	VDC	
RMS current	I RMS max.	13	A _{eff}	10 kHz
slope of voltage variation	du/dt max.	22	V/ μsec	max. repetitive
Repetitive surge current	I cr. max	506	A	
Tangent delta	tg δ	< 15	E-4	1 V / 1 kHz
Equivalent serie resistance	ESR	< 7.5	m Ω	10 kHz
Stray inductance	ESL	≤ 15	nH	
Insulation resistance	Ri	> 1304	M Ω	100 VDC - 1 min
Test voltage between terminals	U T1	1'200	VDC	10 s
Test voltage terminals to case	U T2	2'200	VAC	50 Hz / 10 s
Operating temperature		- 40 ... + 85°C	°C	
Estimated operational life (-5 %)		> 100'000	h	Un DC / 70°C

Dimension	Symbol	Value	Unit	Conditions
Width	B max	28	mm	
Length	L max	42.5	mm	
Height	H max	37	mm	
Terminals tinned wire (4 x)	ϕd	1.2	mm	
RM1		37.5 \pm 0.5	mm	
RM2		10.2 \pm 0.5	mm	
	M1			
	M0			
	Modification	Date	Visa émetteur	

Condensateurs CH 1400 Yverdon, Switzerland
 Kondensatoren Tel.: ++41 24 445 66 88
 Capacitors Fax: ++41 24 445 66 89

Leclanché
Capacitors
A FISCHER & TAUSSCHKE COMPANY

HJJ

www.Lcap.ch
 29.09.2011

capinfo@Lcap.ch
 faisab6048.XLS