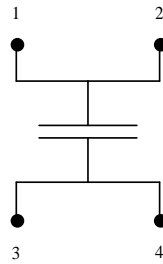
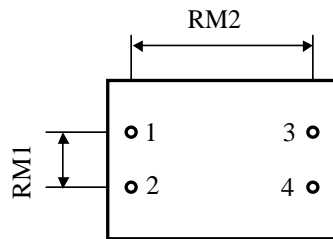


#6048

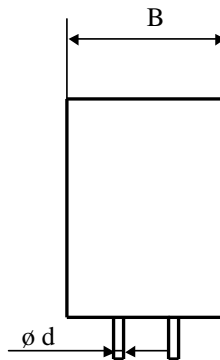
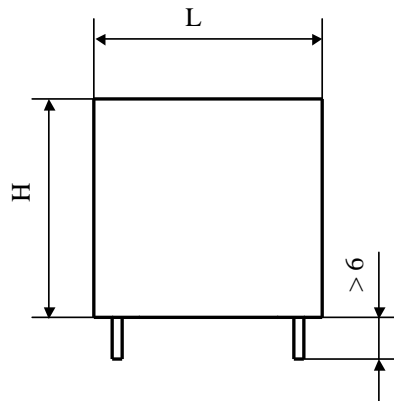
METALLIZED POLYPROPYLENE CAPACITORS

PPM-4 80-22.0 g K

PRELIMINARY



Printed circuit board mounting



Self-extinguishing plastic housing

Epoxy resin sealing

Parameter	Symbol		Value	Unit	Condition
Capacitance	C		22	μF	1 V / 1 kHz
Tolerance			± 10	%	
Rated voltage	Un DC		800	VDC	
RMS current	I RMS max.		13	A _{eff}	10 kHz
slope of voltage variation	du/dt max.		22	V/μsec	max. repetitive
Repetitive surge current	I cr. max		506	A	
Tangent delta	tgδ		< 15	E-4	1 V / 1 kHz
Equivalent serie resistance	ESR		< 8.0	mΩ	10 kHz
Stray inductance	ESL		≤ 15	nH	
Insulation resistance	Ri		> 1304	MΩ	100 VDC - 1 min
Test voltage between terminals	U T1		1'200	VDC	10 s
Test voltage terminals to case	U T2		2'200	VAC	50 Hz / 10 s
Operating temperature			- 40 ... + 85°C	°C	
Estimated operational life (-5 %)			> 100'000	h	Un DC / 70°C
Dimension	Symbol			Unit	Conditions
Width	B max		28	mm	
Length	L max		42.5	mm	
Height	H max		37	mm	
Terminals tinned wire (4 x)	ø d		1.2	mm	
RM1			37.5 ± 0.5	mm	
RM2			10.2 ± 0.5	mm	
	M1				
	MO	17.10.2011	HJJ		
	Modification	Date	Visa émetteur		

Condensateurs CH 1400 Yverdon, Switzerland
 Kondensatoren Tel.: ++41 24 445 66 88
 Capacitors Fax: ++41 24 445 66 89

Leclanché
Capacitors
A FISCHER & TAUSSIG COMPANY

HJJ

www.Lcap.ch
 29.09.2011

capinfo@Lcap.ch
 faisab6048.XLS