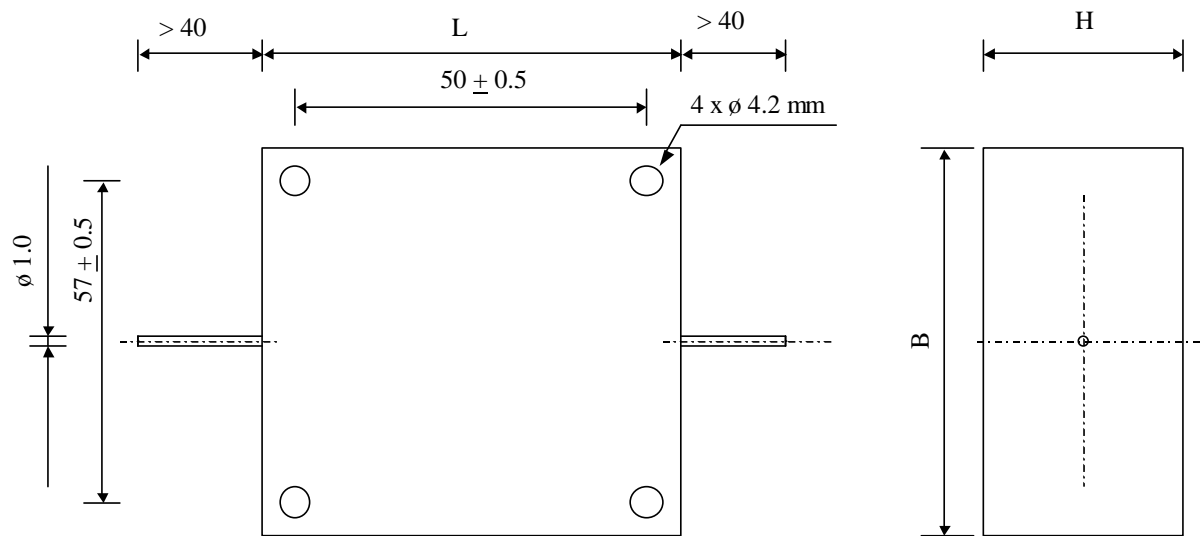


#5833

METALLIZED POLYPROPYLENE CAPACITORS

PPM 4000-220 ru K



Dielectric of metallized polypropylene

Plastic case - polyurethan resin filled

| Parameter | Symbol | | Value | Unit | Condition |
|----------------------------------|------------------|------|----------------------|--------------------|------------------|
| Capacitance | C | | 0.002 | μF | 1 V / 1 kHz |
| Tolerance | | | ± 10 | % | |
| Rated voltage | $U_n \text{ DC}$ | | 40'000 | VDC | |
| Rated voltage | $U_n \text{ AC}$ | | 3000 | VAC | 50 Hz |
| Current | I RMS | | 500 | mA | 100 kHz |
| slope of voltage variation | du/dt max. | | 30000 | V/ μsec | non repetitive |
| Non Repetitive surge current | I cr. max | | 50 | A | |
| Tangente delta | tg δ | | 5 | 10^{-4} | 1 V / 1 kHz |
| Tangente delta | tg δ | | 5 | 10^{-4} | 1 V / 10 kHz |
| Stray inductance | ESL | | ≤ 150 | nH | |
| Parallel resistance | Rp | | $1000 \pm 10 \%$ | M Ω | 40 kV / 30°C |
| Test voltage between terminals | U T1 | | 48 | kVDC | 1 min |
| Operating Temperature | | | + 10 to + 80 | °C | |
| Estimated operational life (-3%) | | | 50'000 | h | $U_n \text{ DC}$ |
| | | | | | |
| Dimension | Symbol | | | Unit | Conditions |
| Width | B | | 67 ± 1 | mm | |
| Height | H | | 43 ± 1 | mm | |
| Length | L | | 60 ± 1 | mm | |
| Terminals | | | | | |
| Axial tinned wire | d | | $\phi 1.0 \times 40$ | mm | |
| | | | | | |
| | | | | | |
| | M1 | | | | |
| | M0 | | | | |
| | Modification | Date | Visa émetteur | | |

Condensateurs CH 1400 Yverdon-les-Bains
 Kondensatoren Tel.: ++41 24 445 66 88
 Capacitors Fax: ++41 24 445 66 89

Le lanché
Capacitors
AFRICHINI & VALESCHE COMPANY

HJJ

14.07.2009

faisab5833.XLS