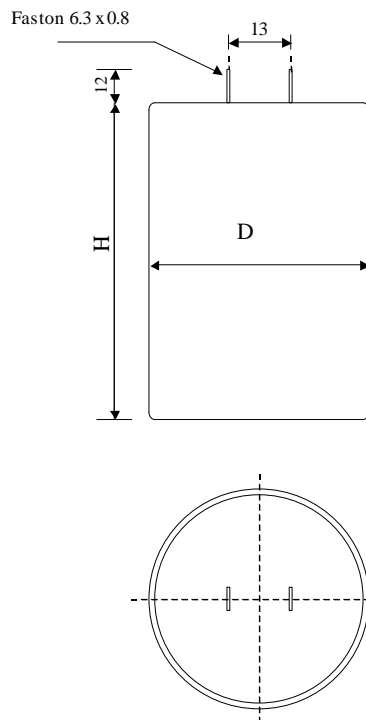


#5846

METALLIZED POLYPROPYLENE CAPACITORS

PPM 30-75.0 c2 K



Dielectric of metallized polypropylene

FAST-ON 6.3 x 0.8 mm

Epoxy resin end sealing

Aluminium case

Parameter	Symbol	Value	Unit	Condition
Capacitance	C	75	$\mu\text{F}$	1 V / 1 kHz
Tolerance		$\pm 10$	%	
Rated voltage	Un DC	300	VDC	
Rated voltage	Un AC	100	VAC	50Hz to 200 Hz
slope of voltage variation	du/dt max.	15	V/ $\mu\text{sec}$	max. repetitive
Repetitive surge current	I cr. max	1125	A	
Current	I RMS	19	A	1 kHz to 100 kHz
Tangent delta	tg $\delta$	$\leq 25$	$10^{-4}$	1 V / 1 kHz
Equivalent serie resistance	ESR	$\leq 4.5$	m $\Omega$	1 V / 10 kHz
Stray inductance	ESL	$\leq 100$	nH	
Insulation resistance	Ri	$> 133$	M $\Omega$	100 VDC - 1 min
Test voltage between terminals	U T1	480	VDC	10 s.
Test voltage terminals to case	U T2	3000	VDC	1 min
Operating temp.		- 30 / + 85 °C		
Dimension	Symbol	Value	Unit	Conditions
Diameter	D	45	mm	
Height	H	94	mm	
Terminals fast-on		6.3 x 0.8	mm	
	M1			
	M0	15.09.2009	HJJ	
	Modification	Date	Visa émetteur	

Condensateurs CH 1400 Yverdon-les-Bains  
 Kondensatoren Tel.: ++41 24 445 66 88  
 Capacitors Fax: ++41 24 445 66 89

**Le Janché**  
**Capacitors**  
A FISSONER & MARCHE COMPANY

HJJ

7.09.2009

faisab5846.XLS