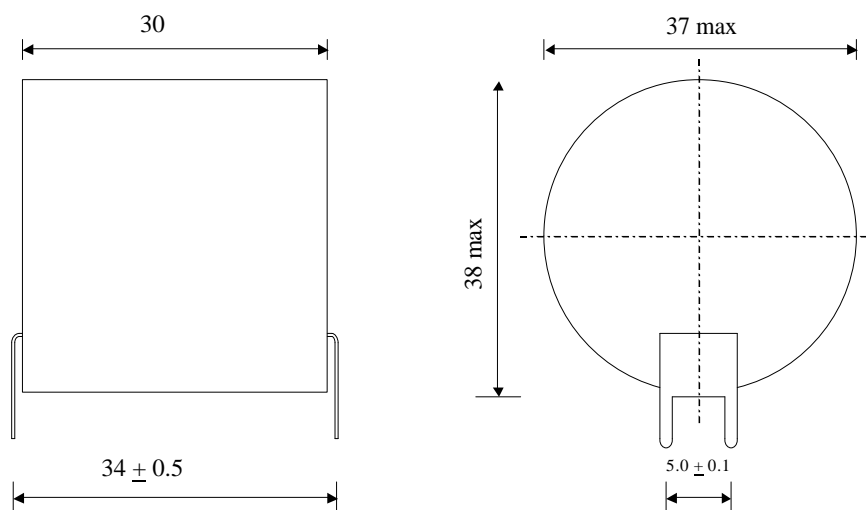


#5629

METALLIZED POLYPROPYLENE CAPACITORS

PPM 280-016 ci J

Preliminary
datasheet

Dielectric of metallized polypropylene

Polyester wrapped / Epoxy resin sealing

Terminals for connection to printed board

Parameter	Symbol		Value	Unit	Condition
Capacitance	C		0.16	μF	1 V / 1 kHz
Tolerance			± 5	%	
Rated voltage	Un DC		2800	VDC	
Rated voltage	Un AC		1000	Veff	50 Hz to 50 kHz
Operating conditions in f > 50 kHz	I _{eff}		50	Aeff	3 s. on / 200 s off
slope of voltage variation	du/dt max.		50	V/μsec	
Tangente delta	tgδ		8	10 ⁻⁴	
Equivalent serie resistance	ESR			mΩ	
Stray inductance	ESL		<	nH	
Insulation resistance	Ri		>	MΩ	
Test voltage between terminals	U T1			VDC	
Operating temp.			-40°C / + 85 °C		
Estimated operational life (-3%)				h	
Dimension	Symbol			Unit	Conditions
Diameter	∅ D		37	mm	
Heigth	H		38	mm	
Terminals					
Tinned brass	(4 x)		1.0 x 0.8	mm	
	M1				
	M0				
	Modification	Date	Visa émetteur		

Condensateurs CH 1401 Yverdon-les-Bains
 Kondensatoren Tel.: ++41 24 445 66 88
 Capacitors Fax: ++41 24 445 66 89

Le lanché
Capacitors
A FISCHER & TAUSSCHER COMPANY

HJJ

23.01.2007

faisab5629.XLS