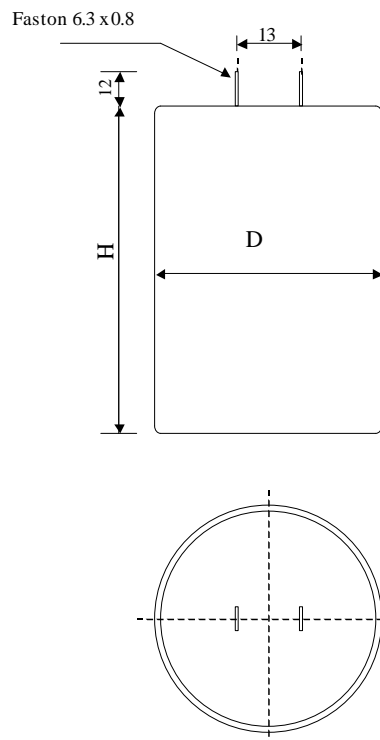


#5845

METALLIZED POLYPROPYLENE CAPACITORS

PPM 16-25.0 c2 K



Dielectric of metallized polypropylene

FAST-ON 6.3 x 0.8 mm

Epoxy resin end sealing

Aluminium case

Parameter	Symbol	Value	Unit	Condition
Capacitance	C	25	$\mu\text{F}$	1 V / 1 kHz
Tolerance		$\pm 10$	%	
Rated voltage	Un DC	160	VDC	
Rated voltage	Un AC	90	VAC	50Hz to 200 Hz
slope of voltage variation	du/dt max.	30	V/ $\mu\text{sec}$	max. repetitive
Repetitive surge current	I cr. max	750	A	
Current	I RMS	18	A	3 kHz to 100 kHz
Tangent delta	tg $\delta$	$\leq 6$	$10^{-4}$	1 V / 1 kHz
Equivalent serie resistance	ESR	$\leq 2.5$	m $\Omega$	1 V / 10 kHz
Stray inductance	ESL	$\leq 55$	nH	
Insulation resistance	Ri	$> 400$	M $\Omega$	100 VDC - 1 min
Test voltage between terminals	U T1	250	VDC	10 s.
Test voltage terminals to case	U T2	3000	VDC	1 min
Operating temp.		- 30 / + 85 °C		
Dimension	Symbol	Value	Unit	Conditions
Diameter	D	35	mm	
Height	H	50	mm	
Terminals fast-on		6.3 x 0.8	mm	
	M1			
	M0	15.09.2009	HJJ	
	Modification	Date	Visa émetteur	

Condensateurs CH 1400 Yverdon-les-Bains  
 Kondensatoren Tel.: ++41 24 445 66 88  
 Capacitors Fax: ++41 24 445 66 89

**Le Janché**  
**Capacitors**  
A FISCHER & MARCHE COMPANY

HJJ

7.09.2009

faisab5845.XLS