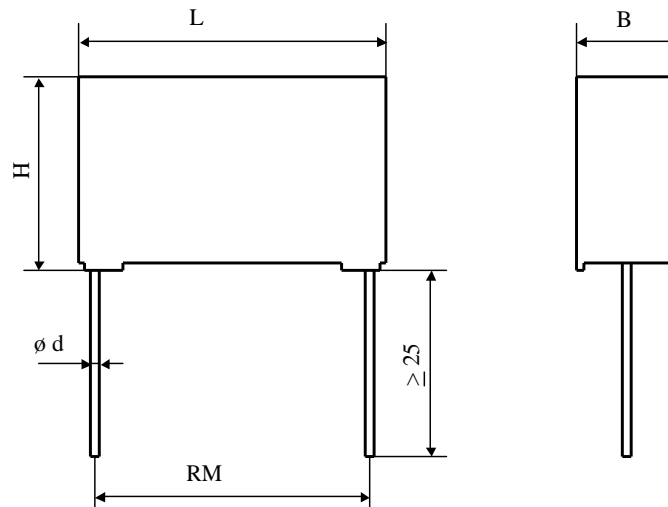


#6062

POWER CAPACITORS

PPM 110-5.0 gs K



Dielectric of metallized polypropylene

Self-extinguishing plastic housing / Epoxy resin sealing

Parameter	Symbol	Value	Unit	Condition
Capacitance	C	5	μF	1 V / 1 kHz
Tolerance		± 10	%	
Rated voltage	Un DC	1100	VDC	
RMS Current	I _{eff max}	6.5	A _{eff}	10 kHz
slope of voltage variation	du/dt max.	75	V/μsec	max. repetitive
Repetitive surge current	I _{cr. max}	375	A	
Tangent delta	tgδ	< 9	10 ⁻⁴	1 V / 1 kHz
Equivalent serie resistance	ESR	≤ 17	mΩ	10 kHz
Stray inductance	ESL	≤ 25	nH	
Insulation resistance	Ri x C	20'000	s	100 VDC - 1 min
Test voltage between terminals	U T1	1650	VDC	10 s
Estimated operational life (-3%)		100'000	h	Un DC / 70°C

Dimension	Symbol	Value	Unit	Conditions
Width	B	20	mm	
Height	H	29	mm	
Length	L	31.5	mm	
Terminals				
Axial tinned wire	d	ø 0.8 x 25	mm	
	RM	27.5 ± 0.5	mm	
	M1			
	M0			
Modification	Date	Visa émetteur		

Condensateurs CH 1400 Yverdon, Switzerland
 Kondensatoren Tel.: ++41 24 445 66 88
 Capacitors Fax: ++41 24 445 66 89

Leclanché
Capacitors
A FISCHER & TAUSSIG COMPANY

HJJ

www.Lcap.ch
 15.11.2011

capinfo@Lcap.ch
 faisab6062.XLS