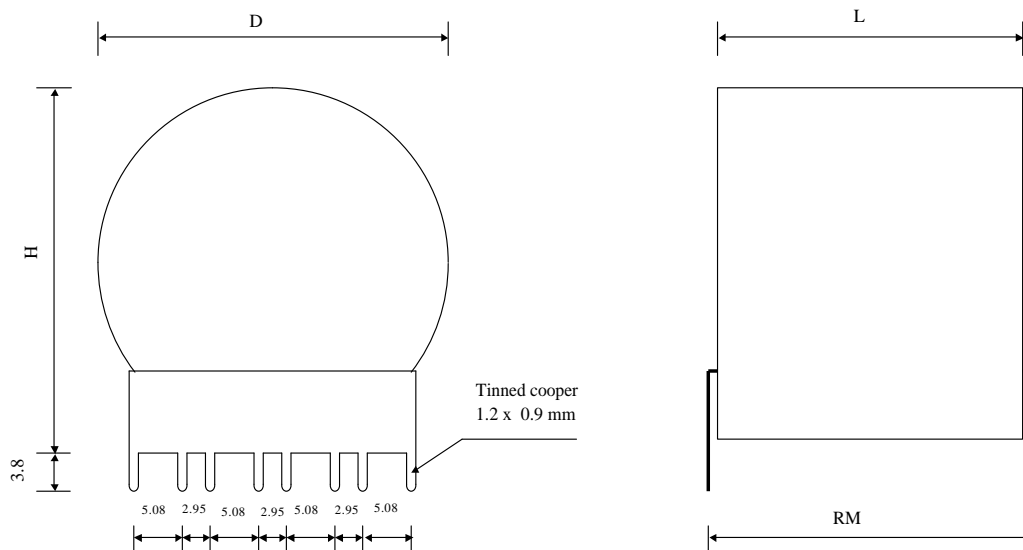


#5919

Power Electronics Capacitors

MKTCI 8-60.0 K



Dielectric of metallized polyester

Polyester wrapped / Epoxy resin sealing

Terminals for connection to Printed Circuit Board

Parameter	Symbol		Value	Unit	Condition
Capacitance	C		60	μF	1 V / 1 kHz
Tolerance			± 10	%	
Rated voltage	Un DC		80	VDC	100°C
RMS current	I RMS max.		15	Aeff	200 kHz
slope of voltage variation	du/dt max.		10	V/ μsec	max. repetitive
Repetitive surge current	I cr. max		600	A	
Tangent delta	tg δ		≤ 70	10^{-4}	1 kHz
Equivalent series resistance	ESR		≤ 4	m Ω	200 kHz
Stray inductance	ESL		≤ 18	nH	
Insulation resistance	Ri		> 166	M Ω	10 VDC - 1 min
Test voltage between terminals	U T1		160	VDC	10 s
Operating temperature			- 55 / + 125 °C		
Dimension	Symbol			Unit	Conditions
Diameter	D max		37.5	mm	
Length	L max		32.5	mm	
Height	H max		38	mm	
Terminals					
Tinned cooper	(8 x)		1.2 x 0.9	mm	
RM			36.5 \pm 0.5	mm	
	M1				
	M0	27.04.2010	HJJ		
	Modification	Date	Visa émetteur		

Condensateurs CH 1400 Yverdon, Switzerland
 Kondensatoren Tel.: ++41 24 445 66 88
 Capacitors Fax: ++41 24 445 66 89

Le lanché
Capacitors
A FICHETTI & TAGGIORINI COMPANY

HJJ

www.Lcap.ch
 20.04.2010

capinfo@Lcap.ch
 faisab5919.XLS