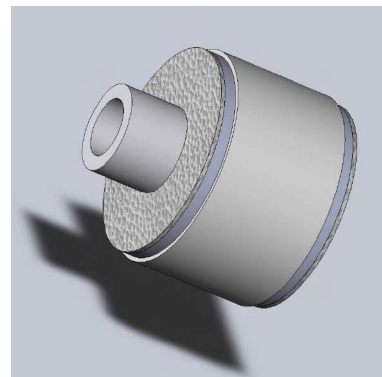
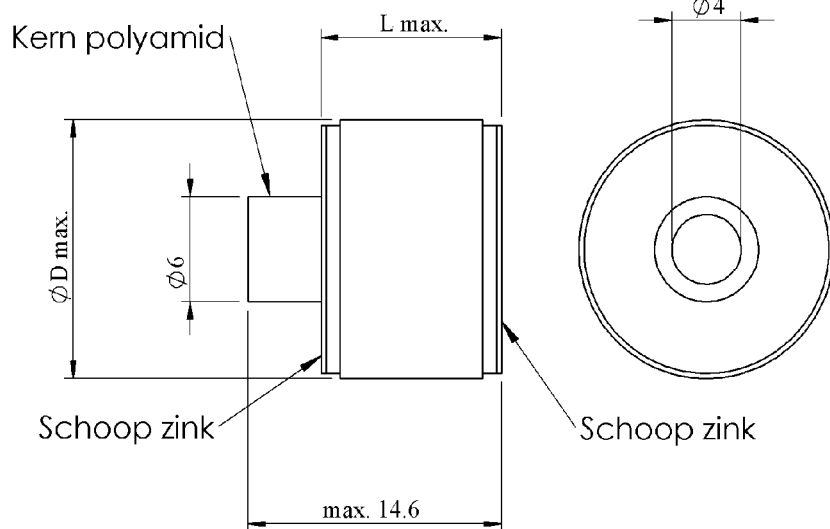


#6297

METALLIZED POLYESTER CAPACITORS

MKT 6-2.2 bob J



POLYESTER WRAPPED UL510  
METAL END FACES  
NO PRINTING

Parameter	Symbol		Value	Unit	Condition
Capacitance	C		2.2	$\mu\text{F}$	1 V / 1 kHz
Tolerance			$\pm 5$	%	
Rated voltage	Un DC		63	VDC	
slope of voltage variation	du/dt max.		30	V/ $\mu\text{sec}$	max. repetitive
Repetitive surge current	I cr. max		66	A	
Tangente delta	tg $\delta$		55	$10^{-4}$	1 V / 1 kHz
Stray inductance	ESL		$\leq 7$	nH	
Insulation resistance	Ri		> 5'000	M $\Omega$	63 VDC - 1 min
Test voltage between terminals	U T1		100	VDC	10 s
Climatic category			25/85/21		
Estimated operational life (-3%)			100'000	h	Un DC / 70°C
Dimension	Symbol			Unit	Conditions
Diameter	D max.		14.7	mm	
Length	L max.		10.4	mm	
	M1				
	M0				
	Modification	Date	Visa émetteur		

Condensateurs CH 1400 Yverdon-les-Bains  
Kondensatoren Tel.: ++41 24 445 66 88  
Capacitors Fax: ++41 24 445 66 89

**Leclanché**  
Capacitors  
A FISCHER & TAUSSCHER COMPANY

HJJ

www.Lcap.ch  
12.05.2014

capinfo@Lcap.ch  
faisab6297.XLS