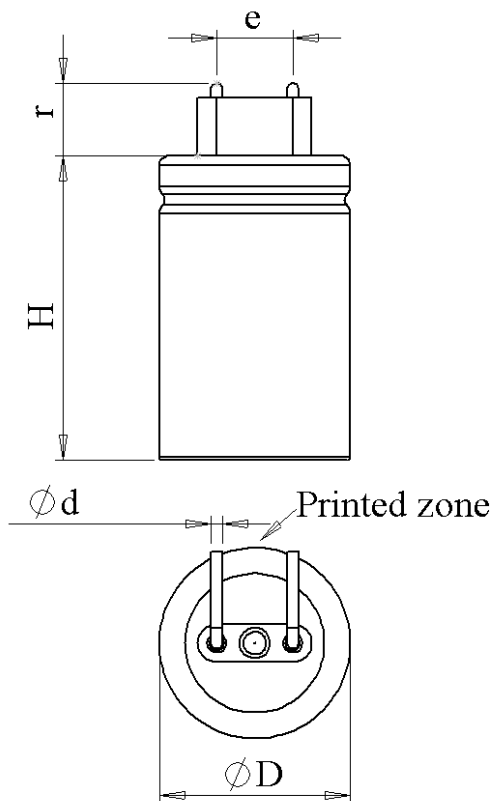


#5731

HIGH TEMPERATURE FILM CAPACITORS

MKS 63-045 c3 G

Dielectric of metallized
polyphenylene sulfide

Aluminium case

Plastic bushing

Resin filling

Parameter	Symbol		Value	Unit	Condition
Capacitance	C		0.45	μF	1 V / 1 kHz
Tolerance			± 2	%	
Rated voltage	Un DC		630	VDC	
Rated voltage	Un AC		250	Veff	500 Hz
slope of voltage variation	du/dt max.		150	V/ μsec	max. repetitive
Repetitive surge current	I cr. max		67.5	A	
Tangent delta	tg δ		≤ 10	1C^4	1 V / 1 kHz / 22°C
Stray inductance	ESL		≤ 50	nH	
Insulation resistance	Ri		$> 13'000$	M Ω	100 VDC - 1 min
Test voltage between terminals	U T1		625	VAC	50 Hz / 2 sec.
Test voltage terminals to case	U T2		2500	VAC	50 Hz / 2 sec.
Operating temperature			- 40 ... + 85	°C	
Estimated operational life (-3%)			100'000	h	Un AC / 500 Hz

Dimension	Symbol		Value	Unit	Conditions
Diameter	D		30	mm	
Height	H		41	mm	
Terminals					
Lead	d		1.5	mm	
Thread spacing	e		10.0 ± 1	mm	
	r		11	mm	

	M1				
	M0	19.04.2010	HJJ		
	Modification	Date	Visa émetteur		

Condensateurs CH 1400 Yverdon-les-Bains
 Kondensatoren Tel.: ++41 24 445 66 88
 Capacitors Fax: ++41 24 445 66 89

Le lanché
Capacitors
A FROCHET & SAUDON COMPANY

HJJ

19.06.2008

faisab5731.XLS