

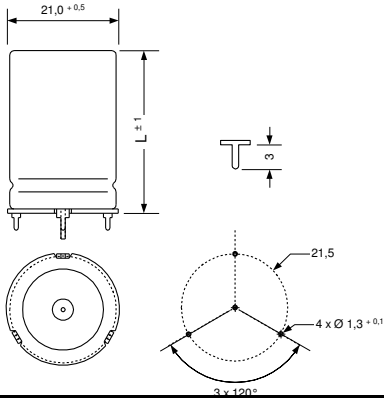
Leclanché Capacitors
48, av. de Grandson
1400 Yverdon, Switzerland



Tel. +41 24 445 66 88
Fax +41 24 445 66 89
capinfo@Lcap.ch
www.Lcap.ch

Customer : Leclanché
Drawing No. : 1026458-53567
created: HS 16.12.2013

LCap p/n: LSG10206321039



L : 21 mm
D : 39 mm

Electrical Parameters

Rated Capacitance (C_R) @ 100 Hz / 20 °C	1000 μ F	
Tolerance	±20 %	
Rated Voltage (U_R)	63 V	
Surge Voltage (U_S) max. 5 x 1 min / h	72 V	
Reverse Voltage (U_U) max. 1 s	2 V	
Leakage Current (I_L) @ U_R / 5 min / 20 °C	189 μ A	
ESR typ. @ 100 Hz / 20°C	63 m Ω	
Tan δ typ. @ 100 Hz / 20°C	4 %	
Z max. @ 10 kHz / 20°C	56 m Ω	
ESL typ.	10 nH	
Rated Ripple Current (I_R) @ 100 Hz / 125 °C	3 A	
Useful life @ I_R , U_R , 125 °C	3000 h	
IEC Climatic category / Standards	55/125/56	IEC 60384-4
Applications	Industrial	
Your article No. / Project		