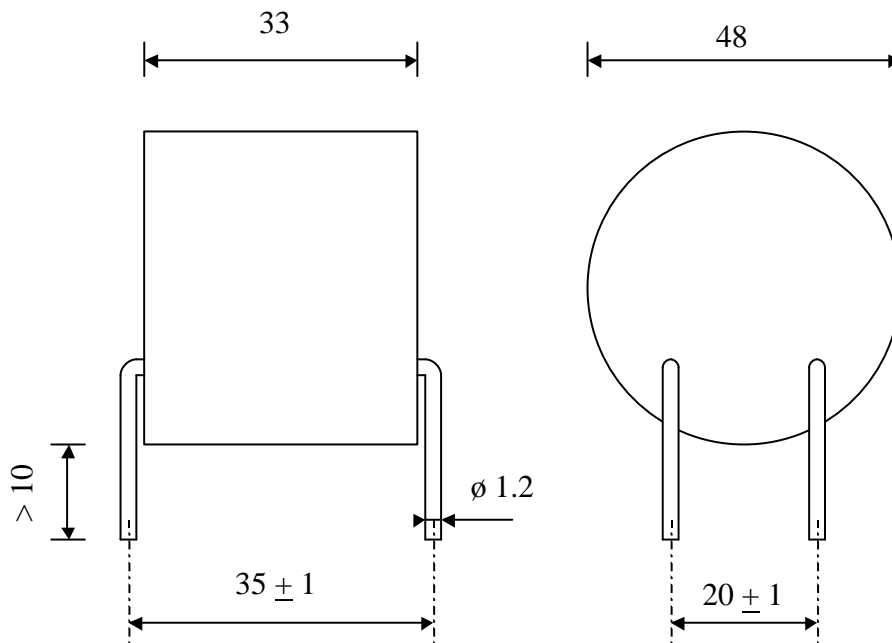


# 5689

## FILM-FOIL CAPACITORS

TYPE  
KP-4 200-145 d J

Polypropylene dielectric  
Plastic sleeve / Epoxy resin sealing

Paramètre	Symbol	Value	Unit	Condition
Capacitance	C	45	nF	20°C, 1 kHz
Tolérance		5	%	
Rated voltage	Un DC	2'000	VDC	
Rated voltage	Un AC	500	VAC	50 Hz to 10 kHz
Repetitive surge current	I cr. Max	300	A	
RMS Current	I <sub>eff</sub> max.	24	A <sub>eff</sub>	f > 330 kHz
Tangente delta	tgδ	≤ 2.3 E-4		1 V / 100 kHz / 20 °C
Equivalent serie resistance	ESR	≤ 3.0	mΩ	1 V / f > 330 kHz / 20 °C
Stray inductance	ESL	≤ 50	nH	
Insulation resistance	Ri	> 100'000	MΩ	100 VDC - 1 min
Test voltage between terminals	U T1	4'000	VDC	1 min
Climatic category		25/70/56		
Estimated operational life		> 100'000	H	24 ARMS / 330 kHz Un DC / 40°C temp. Amb.

Dimension	Symbole	Unité	Conditions
Diameter	∅	48	mm
Length	L max	33	mm
Terminals			
Axial tinned wire 4 x		∅ 1.2	mm
Valeurs indicatives, sous réserve de modification	M2		
	M1		
	M0		
	Modification	Date	Visa émetteur

Condensateurs CH 1400 Yverdon-les-Bains  
Kondensatoren Tel.: ++41 24 445 66 88  
Capacitors Fax: ++41 24 445 66 89

**Le lancé**  
**Capacitors**  
A FISCHER & WASSER COMPANY

HJJ

27.09.2007

faisab5689.XLS