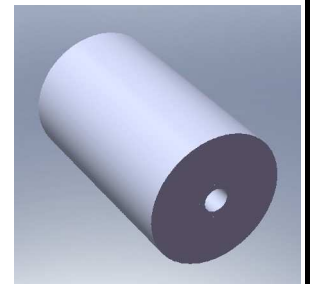
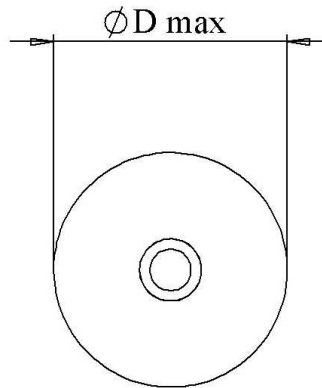
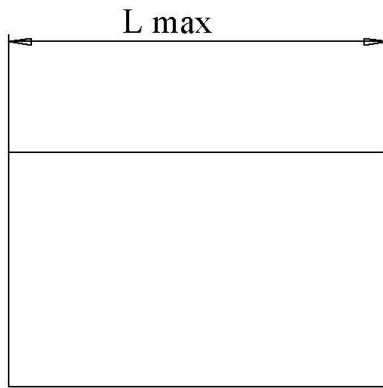


# 6168	FILM-FOIL CAPACITORS	TYPE KP 25-1.0 bob K
--------	----------------------	-------------------------



Metal end faces
Zinc + Tin alloy

Dielectric: Polypropylene + aluminium foil

Paramètre	Symbol	Value	Unit	Condition
Capacitance	C	1.0	µF	20°C, 1 kHz
Tolérance		10	%	
Rated voltage	Un DC	250	VDC	
Rated voltage	Un AC	100	VAC	50 Hz to 10 kHz
Repetitive surge current	I cr. Max	700	A	
RMS Current	I _{eff} max.	55	A _{eff}	220 kHz
Tangente delta	tgδ	≤ 3 E-4		1 V / 1 kHz / 20 °C
Equivalent serie resistance	ESR	≤ 0.6	mΩ	1 V / 220 kHz / 20 °C
Stray inductance	ESL	≤ 10	nH	
Insulation resistance	Ri	> 100'000	MΩ	100 VDC - 1 min
Test voltage between terminals	U T1	500	VDC	1 min
Operating temperature		- 25 / + 55	°C	
Estimated operational life		> 100'000	H	55 ARMS / 220 kHz Un DC / 55°C temp. Amb.

Dimension	Symbole	Value	Unité	Conditions
Diameter	D max	34	mm	
Lenght	L max	55	mm	

	M2			
	M1			
	MC			
	Modification	Date	Visa émetteur	

Condensateurs CH 1400 Yverdon-les-Bains
Kondensatoren Tel.: ++41 24 445 66 88
Capacitors Fax: ++41 24 445 66 89

Leclanché
Capacitors
A FISCHER & TALSCHER COMPANY

HJJ

18.03.2013

faisab6168.XLS