

Replacement for CKM 501-4 BG series

**Applications**

- Railway Signal Systems
- High Reliability Circuits

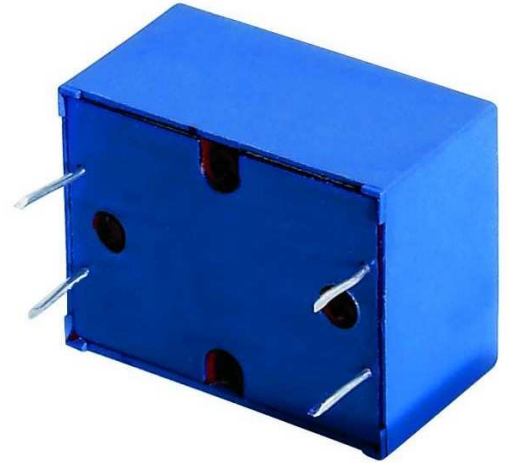
**Main Characteristics**

- High Reliability
- Controllable Metallized frame layers
- Compliant to standards NF F 62 - 102
- Nominal Voltage  $U_n$ : 40VDC to 630VDC
- Dry-film technology
- Climatic category 40/125/56  
 Tolerances  $\pm 20\%$ ,  $\pm 10\%$ ,  $\pm 5\%$ ,  $\pm 2\%$ ,  $\pm 1\%$

**Design Data**

- Metallized Polycarbonate
- Self-extinguishing plastic housing
- Tinned copper wire radial connection
- Epoxy resin end-seal (UL-V0)
- Marking to indicate outer foil on request

**Mounting**



**CKM 501-4 BG**

**1.0 Rated Values and Operational Data**

|    |   |                            |   |    |      |     |     |     |      |
|----|---|----------------------------|---|----|------|-----|-----|-----|------|
| DC | Nominal Voltage $U_R$ [VDC]             | $\leq 85^\circ\text{C}$    | B | 40 | 63   | 160 | 250 | 400 | 630  |
|    | Category Voltage $U_C$ [VDC] = $0.5x_r$ | $\leq 125^\circ\text{C}$   | B | 20 | 31.5 | 80  | 125 | 200 | 315  |
|    | Test Voltage $U_T$ [VDC] = $1.6xU_r$    | 1 min / $23^\circ\text{C}$ | B | 64 | 100  | 160 | 400 | 640 | 1000 |
| AC | Nominal Voltage $U_{N-50/60}$ Hz [VAC]  | $\leq 85^\circ\text{C}$    | B | 25 | 40   | 100 | 160 | 200 | 275  |

**High Security Capacitors with controllable metallized frame layers**

**Type CKS 501-4 BG**

| Cn =>   | 1.0 nF | 18 nF | 27 nF | 56nF | 0.18µF | 0.39µF | 0.47µF | 1.0µF | 1.5µF | 3.3µF | 10µF | 22µF |
|---------|--------|-------|-------|------|--------|--------|--------|-------|-------|-------|------|------|
| 40 VDC  |        |       |       |      |        |        |        |       |       |       |      |      |
| 63 VDC  |        |       |       |      |        |        |        |       |       |       |      |      |
| 160 VDC |        |       |       |      |        |        |        |       |       |       |      |      |
| 250 VDC |        |       |       |      |        |        |        |       |       |       |      |      |
| 400 VDC |        |       |       |      |        |        |        |       |       |       |      |      |
| 630 VDC |        |       |       |      |        |        |        |       |       |       |      |      |

### 3.0 Characteristics

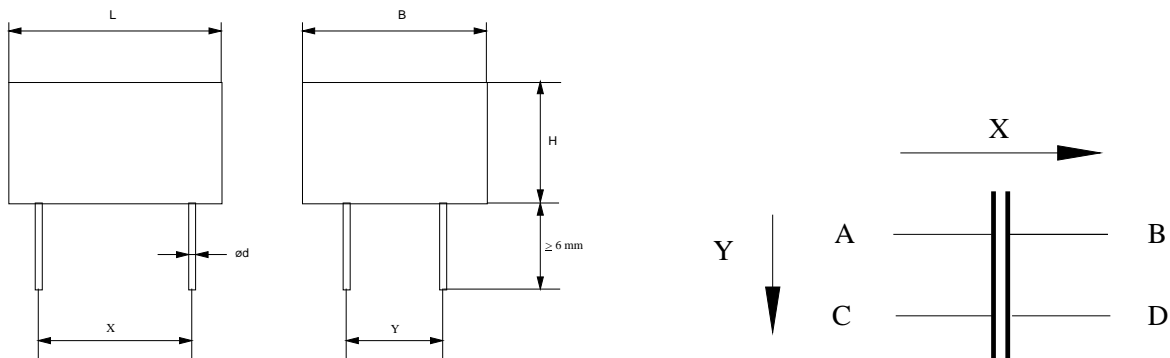
|                                   |                           |           | Min   | Typ | Max |
|-----------------------------------|---------------------------|-----------|-------|-----|-----|
| Dissipation Factor                | tg δ [x10 <sup>-4</sup> ] | ≤ 1 µF    |       |     | 20  |
|                                   |                           | > 1 µF    |       |     | 30  |
| Insulation Resistance 1min à 23°C | R <sub>i</sub> [MΩ]       | ≤ 0.33 µF | 50000 |     |     |
| *                                 |                           |           |       |     |     |
| Time Constant 1min à 23°C         | R <sub>i</sub> C [s]      | > 0.33 µF | 10000 |     |     |
| *                                 |                           |           |       |     |     |

\* U<sub>r</sub> - ≤ 63 V mesure under U<sub>r</sub>

U<sub>r</sub> > 63 V mesure under 100 V

### 3.0 Dimensions:

The capacitors are radial.



Housing dimensions

| Boîtier | NF F 62-102 □max□ |    |    |       |       |     | LECLANCHE |      |      |       |       |     |
|---------|-------------------|----|----|-------|-------|-----|-----------|------|------|-------|-------|-----|
|         | B                 | H  | L  | Y     | X     | ø   | B         | H    | L    | Y     | X     | ø   |
| A       | 16                | 11 | 12 | 5.08  | 7.62  | 0.6 | 15.0      | 11.0 | 11.0 | 5.08  | 7.62  | 0.6 |
| B       | 16                | 11 | 15 | 5.08  | 10.16 | 0.6 | 15.0      | 11.0 | 14.0 | 5.08  | 10.16 | 0.6 |
| C       | 17                | 11 | 20 | 5.08  | 15.24 | 0.8 | 16.0      | 11.0 | 19.0 | 5.08  | 15.24 | 0.8 |
| D       | 17                | 11 | 33 | 5.08  | 27.94 | 0.8 | 16.0      | 11.0 | 32.0 | 5.08  | 27.94 | 0.8 |
| E       | 18                | 14 | 33 | 5.08  | 27.94 | 0.8 | 17.0      | 13.5 | 32.0 | 5.08  | 27.94 | 0.8 |
| F       | 24                | 14 | 33 | 10.16 | 27.94 | 0.8 | 23.0      | 13.5 | 32.0 | 10.16 | 27.94 | 0.8 |
| G       | 27                | 17 | 33 | 10.16 | 27.94 | 0.8 | 26.0      | 17.0 | 32.0 | 10.16 | 27.94 | 0.8 |

Capacitors delivered in bulk.

CKM501-4 BG 40 VDC

| B4F6 | Type               | Cn<br>[μF] | Dimensions |        |        |        |        |        |        |
|------|--------------------|------------|------------|--------|--------|--------|--------|--------|--------|
|      |                    |            | Case       | B [mm] | H [mm] | L [mm] | Y [mm] | X [mm] | ø [mm] |
| 1    | CKM501-4 BG 4-039  | 0.390      | A          | 15.0   | 11.0   | 11.0   | 5.08   | 7.62   | 0.60   |
| 2    | CKM501-4 BG 4-047  | 0.470      | A          | 15.0   | 11.0   | 11.0   | 5.08   | 7.62   | 0.60   |
| 3    | CKM501-4 BG 4-056  | 0.560      | A          | 15.0   | 11.0   | 11.0   | 5.08   | 7.62   | 0.60   |
| 4    | CKM501-4 BG 4-068  | 0.68       | A          | 15.0   | 11.0   | 11.0   | 5.08   | 7.62   | 0.60   |
| 5    | CKM501-4 BG 4-082  | 0.82       | B          | 15.0   | 11.0   | 14.0   | 5.08   | 10.16  | 0.60   |
| 6    | CKM501-4 BG 4-1.0  | 1.00       | B          | 15.0   | 11.0   | 14.0   | 5.08   | 10.16  | 0.60   |
| 7    | CKM501-4 BG 4-1.2  | 1.20       | B          | 15.0   | 11.0   | 14.0   | 5.08   | 10.16  | 0.60   |
| 8    | CKM501-4 BG 4-1.5  | 1.50       | B          | 15.0   | 11.0   | 14.0   | 5.08   | 10.16  | 0.60   |
| 9    | CKM501-4 BG 4-1.8  | 1.80       | C          | 16.0   | 11.0   | 19.0   | 5.08   | 15.24  | 0.80   |
| 10   | CKM501-4 BG 4-2.2  | 2.20       | C          | 16.0   | 11.0   | 19.0   | 5.08   | 15.24  | 0.80   |
| 11   | CKM501-4 BG 4-2.7  | 2.70       | C          | 16.0   | 11.0   | 19.0   | 5.08   | 15.24  | 0.80   |
| 12   | CKM501-4 BG 4-3.3  | 3.30       | C          | 16.0   | 11.0   | 19.0   | 5.08   | 15.24  | 0.80   |
| 13   | CKM501-4 BG 4-3.9  | 3.90       | D          | 16.0   | 11.0   | 32.0   | 5.08   | 27.94  | 0.80   |
| 14   | CKM501-4 BG 4-4.7  | 4.70       | D          | 16.0   | 11.0   | 32.0   | 5.08   | 27.94  | 0.80   |
| 15   | CKM501-4 BG 4-5.6  | 5.60       | D          | 16.0   | 11.0   | 32.0   | 5.08   | 27.94  | 0.80   |
| 16   | CKM501-4 BG 4-6.8  | 6.80       | D          | 16.0   | 11.0   | 32.0   | 5.08   | 27.94  | 0.80   |
| 17   | CKM501-4 BG 4-8.2  | 8.20       | E          | 17.0   | 13.5   | 32.0   | 5.08   | 27.94  | 0.80   |
| 18   | CKM501-4 BG 4-10.0 | 10.00      | E          | 17.0   | 13.5   | 32.0   | 5.08   | 27.94  | 0.80   |
| 19   | CKM501-4 BG 4-12.0 | 12.00      | F          | 23.0   | 13.5   | 32.0   | 10.16  | 27.94  | 0.80   |
| 20   | CKM501-4 BG 4-15.0 | 15.00      | F          | 23.0   | 13.5   | 32.0   | 10.16  | 27.94  | 0.80   |
| 21   | CKM501-4 BG 4-18.0 | 18.00      | G          | 26.0   | 17.0   | 32.0   | 10.16  | 27.94  | 0.80   |
| 22   | CKM501-4 BG 4-22.0 | 22.00      | G          | 26.0   | 17.0   | 32.0   | 10.16  | 27.94  | 0.80   |

## CKM501-4 BG 63 VDC

| B4F6 | Type               | Cn<br>[μF] | Dimensions |        |        |        |        |        |             |
|------|--------------------|------------|------------|--------|--------|--------|--------|--------|-------------|
|      |                    |            | Case       | B [mm] | H [mm] | L [mm] | Y [mm] | X [mm] | ∅ lead [mm] |
| 1    | CKM501-4 BG 6-022  | 0.220      | A          | 15.0   | 11.0   | 11.0   | 5.08   | 7.62   | 0.6         |
| 2    | CKM501-4 BG 6-027  | 0.270      | A          | 15.0   | 11.0   | 11.0   | 5.08   | 7.62   | 0.6         |
| 3    | CKM501-4 BG 6-033  | 0.330      | A          | 15.0   | 11.0   | 11.0   | 5.08   | 7.62   | 0.6         |
| 4    | CKM501-4 BG 6-039  | 0.390      | B          | 15.0   | 11.0   | 14.0   | 5.08   | 10.16  | 0.6         |
| 5    | CKM501-4 BG 6-047  | 0.470      | B          | 15.0   | 11.0   | 14.0   | 5.08   | 10.16  | 0.6         |
| 6    | CKM501-4 BG 6-056  | 0.560      | B          | 15.0   | 11.0   | 14.0   | 5.08   | 10.16  | 0.6         |
| 7    | CKM501-4 BG 6-068  | 0.680      | B          | 15.0   | 11.0   | 14.0   | 5.08   | 10.16  | 0.6         |
| 8    | CKM501-4 BG 6-082  | 0.820      | C          | 16.0   | 11.0   | 19.0   | 5.08   | 15.24  | 0.8         |
| 9    | CKM501-4 BG 6-1.0  | 1.00       | C          | 16.0   | 11.0   | 19.0   | 5.08   | 15.24  | 0.8         |
| 10   | CKM501-4 BG 6-1.2  | 1.20       | C          | 16.0   | 11.0   | 19.0   | 5.08   | 15.24  | 0.8         |
| 11   | CKM501-4 BG 6-1.5  | 1.55       | C          | 16.0   | 11.0   | 19.0   | 5.08   | 15.24  | 0.8         |
| 12   | CKM501-4 BG 6-1.8  | 1.80       | D          | 16.0   | 11.0   | 32.0   | 5.08   | 27.94  | 0.8         |
| 13   | CKM501-4 BG 6-2.2  | 2.20       | D          | 16.0   | 11.0   | 32.0   | 5.08   | 27.94  | 0.8         |
| 14   | CKM501-4 BG 6-2.7  | 2.70       | D          | 16.0   | 11.0   | 32.0   | 5.08   | 27.94  | 0.8         |
| 15   | CKM501-4 BG 6-3.3  | 3.30       | D          | 16.0   | 11.0   | 32.0   | 5.08   | 27.94  | 0.8         |
| 16   | CKM501-4 BG 6-3.9  | 3.90       | E          | 17.0   | 13.5   | 32.0   | 5.08   | 27.94  | 0.8         |
| 17   | CKM501-4 BG 6-4.7  | 4.70       | E          | 17.0   | 13.5   | 32.0   | 5.08   | 27.94  | 0.8         |
| 18   | CKM501-4 BG 6-5.6  | 5.60       | F          | 23.0   | 13.5   | 32.0   | 10.16  | 27.94  | 0.8         |
| 19   | CKM501-4 BG 6-6.8  | 6.80       | F          | 23.0   | 13.5   | 32.0   | 10.16  | 27.94  | 0.8         |
| 20   | CKM501-4 BG 6-8.2  | 7.96       | G          | 26.0   | 17.0   | 32.0   | 10.16  | 27.94  | 0.8         |
| 21   | CKM501-4 BG 6-10.0 | 10.00      | G          | 26.0   | 17.0   | 32.0   | 10.16  | 27.94  | 0.8         |

## CKM501-4 BG 160 VDC

| B4F6<br>Pos. | Type               | Cn<br>[μF] | Dimensions |        |        |        |        |        |            |
|--------------|--------------------|------------|------------|--------|--------|--------|--------|--------|------------|
|              |                    |            | Case       | B [mm] | H [mm] | L [mm] | Y [mm] | X [mm] | ∅ lead[mm] |
| 1            | CKM501-4 BG 16-147 | 0.047      | A          | 15.0   | 11.0   | 11.0   | 5.08   | 7.62   | 0.60       |
| 2            | CKM501-4 BG 16-156 | 0.056      | A          | 15.0   | 11.0   | 11.0   | 5.08   | 7.62   | 0.60       |
| 3            | CKM501-4 BG 16-168 | 0.068      | A          | 15.0   | 11.0   | 11.0   | 5.08   | 7.62   | 0.60       |
| 4            | CKM501-4 BG 16-182 | 0.082      | A          | 15.0   | 11.0   | 11.0   | 5.08   | 7.62   | 0.60       |
| 5            | CKM501-4 BG 16-010 | 0.100      | A          | 15.0   | 11.0   | 11.0   | 5.08   | 7.62   | 0.60       |
| 6            | CKM501-4 BG 16-012 | 0.120      | B          | 15.0   | 11.0   | 14.0   | 5.08   | 10.16  | 0.60       |
| 7            | CKM501-4 BG 16-015 | 0.150      | B          | 15.0   | 11.0   | 14.0   | 5.08   | 10.16  | 0.60       |
| 8            | CKM501-4 BG 16-018 | 0.180      | B          | 15.0   | 11.0   | 14.0   | 5.08   | 10.16  | 0.60       |
| 9            | CKM501-4 BG 16-022 | 0.22       | B          | 15.0   | 11.0   | 14.0   | 5.08   | 10.16  | 0.60       |
| 10           | CKM501-4 BG 16-027 | 0.27       | C          | 16.0   | 11.0   | 19.0   | 5.08   | 15.24  | 0.80       |
| 11           | CKM501-4 BG 16-033 | 0.33       | C          | 16.0   | 11.0   | 19.0   | 5.08   | 15.24  | 0.80       |
| 12           | CKM501-4 BG 16-039 | 0.39       | C          | 16.0   | 11.0   | 19.0   | 5.08   | 15.24  | 0.80       |
| 13           | CKM501-4 BG 16-047 | 0.47       | C          | 16.0   | 11.0   | 19.0   | 5.08   | 15.24  | 0.80       |
| 14           | CKM501-4 BG 16-056 | 0.56       | D          | 16.0   | 11.0   | 32.0   | 5.08   | 27.94  | 0.80       |
| 15           | CKM501-4 BG 16-068 | 0.68       | D          | 16.0   | 11.0   | 32.0   | 5.08   | 27.94  | 0.80       |
| 16           | CKM501-4 BG 16-082 | 0.82       | D          | 16.0   | 11.0   | 32.0   | 5.08   | 27.94  | 0.80       |
| 17           | CKM501-4 BG 16-1.0 | 1.00       | D          | 16.0   | 11.0   | 32.0   | 5.08   | 27.94  | 0.80       |
| 18           | CKM501-4 BG 16-1.2 | 1.20       | E          | 17.0   | 13.5   | 32.0   | 5.08   | 27.94  | 0.80       |
| 19           | CKM501-4 BG 16-1.5 | 1.50       | E          | 17.0   | 13.5   | 32.0   | 5.08   | 27.94  | 0.80       |
| 20           | CKM501-4 BG 16-1.8 | 1.80       | F          | 23.0   | 13.5   | 32.0   | 10.16  | 27.94  | 0.80       |
| 21           | CKM501-4 BG 16-2.2 | 2.20       | F          | 23.0   | 13.5   | 32.0   | 10.16  | 27.94  | 0.80       |
| 22           | CKM501-4 BG 16-2.7 | 2.70       | G          | 26.0   | 17.0   | 32.0   | 10.16  | 27.94  | 0.80       |
| 23           | CKM501-4 BG 16-3.3 | 3.30       | G          | 26.0   | 17.0   | 32.0   | 10.16  | 27.94  | 0.80       |
|              |                    |            |            |        |        |        |        |        |            |

## CKM501-4 BG 250 VDC

| B4F6 | Type               | Cn<br>[μF] | Dimensions |        |        |        |        |        |             |
|------|--------------------|------------|------------|--------|--------|--------|--------|--------|-------------|
|      |                    |            | Case       | B [mm] | H [mm] | L [mm] | Y [mm] | X [mm] | ∅ lead [mm] |
| 1    | CKM501-4 BG 25-127 | 0.027      | A          | 15.0   | 11.0   | 11.0   | 5.08   | 7.62   | 0.60        |
| 2    | CKM501-4 BG 25-133 | 0.033      | A          | 15.0   | 11.0   | 11.0   | 5.08   | 7.62   | 0.60        |
| 3    | CKM501-4 BG 25-139 | 0.036      | A          | 15.0   | 11.0   | 11.0   | 5.08   | 7.62   | 0.60        |
| 4    | CKM501-4 BG 25-147 | 0.047      | A          | 15.0   | 11.0   | 11.0   | 5.08   | 7.62   | 0.60        |
| 5    | CKM501-4 BG 25-156 | 0.056      | B          | 15.0   | 11.0   | 14.0   | 5.08   | 10.16  | 0.60        |
| 6    | CKM501-4 BG 25-168 | 0.068      | B          | 15.0   | 11.0   | 14.0   | 5.08   | 10.16  | 0.60        |
| 7    | CKM501-4 BG 25-182 | 0.082      | B          | 15.0   | 11.0   | 14.0   | 5.08   | 10.16  | 0.60        |
| 8    | CKM501-4 BG 25-010 | 0.100      | B          | 15.0   | 11.0   | 14.0   | 5.08   | 10.16  | 0.60        |
| 9    | CKM501-4 BG 25-012 | 0.120      | C          | 16.0   | 11.0   | 19.0   | 5.08   | 15.24  | 0.80        |
| 10   | CKM501-4 BG 25-015 | 0.150      | C          | 16.0   | 11.0   | 19.0   | 5.08   | 15.24  | 0.80        |
| 11   | CKM501-4 BG 25-018 | 0.180      | C          | 16.0   | 11.0   | 19.0   | 5.08   | 15.24  | 0.80        |
| 12   | CKM501-4 BG 25-022 | 0.220      | C          | 16.0   | 11.0   | 19.0   | 5.08   | 15.24  | 0.80        |
| 13   | CKM501-4 BG 25-027 | 0.270      | D          | 16.0   | 11.0   | 32.0   | 5.08   | 27.94  | 0.80        |
| 14   | CKM501-4 BG 25-033 | 0.330      | D          | 16.0   | 11.0   | 32.0   | 5.08   | 27.94  | 0.80        |
| 15   | CKM501-4 BG 25-039 | 0.390      | D          | 16.0   | 11.0   | 32.0   | 5.08   | 27.94  | 0.80        |
| 16   | CKM501-4 BG 25-047 | 0.470      | D          | 16.0   | 11.0   | 32.0   | 5.08   | 27.94  | 0.80        |
| 17   | CKM501-4 BG 25-056 | 0.560      | E          | 17.0   | 13.5   | 32.0   | 5.08   | 27.94  | 0.80        |
| 18   | CKM501-4 BG 25-068 | 0.680      | E          | 17.0   | 13.5   | 32.0   | 5.08   | 27.94  | 0.80        |
| 19   | CKM501-4 BG 25-082 | 0.820      | F          | 23.0   | 13.5   | 32.0   | 10.16  | 27.94  | 0.80        |
| 20   | CKM501-4 BG 25-1.0 | 1.00       | F          | 23.0   | 13.5   | 32.0   | 10.16  | 27.94  | 0.80        |
| 21   | CKM501-4 BG 25-1.2 | 1.20       | G          | 26.0   | 17.0   | 32.0   | 10.16  | 27.94  | 0.80        |
| 22   | CKM501-4 BG 25-1.5 | 1.50       | G          | 26.0   | 17.0   | 32.0   | 10.16  | 27.94  | 0.80        |
|      |                    |            |            |        |        |        |        |        |             |

## CKM501-4 BG 400 VDC

| B4F6 | Type               | Cn<br>[μF] | Dimensions |        |        |        |        |        |            |
|------|--------------------|------------|------------|--------|--------|--------|--------|--------|------------|
|      |                    |            | Case       | B [mm] | H [mm] | L [mm] | Y [mm] | X [mm] | ∅ lead[mm] |
| 1    | CKM501-4 BG 40-118 | 0.018      | A          | 15.0   | 11.0   | 11.0   | 5.08   | 7.62   | 0.60       |
| 2    | CKM501-4 BG 40-122 | 0.022      | A          | 15.0   | 11.0   | 11.0   | 5.08   | 7.62   | 0.60       |
| 3    | CKM501-4 BG 40-127 | 0.027      | A          | 15.0   | 11.0   | 11.0   | 5.08   | 7.62   | 0.60       |
| 4    | CKM501-4 BG 40-133 | 0.033      | A          | 15.0   | 11.0   | 11.0   | 5.08   | 7.62   | 0.60       |
| 5    | CKM501-4 BG 40-139 | 0.039      | B          | 15.0   | 11.0   | 14.0   | 5.08   | 10.16  | 0.60       |
| 6    | CKM501-4 BG 40-147 | 0.047      | B          | 15.0   | 11.0   | 14.0   | 5.08   | 10.16  | 0.60       |
| 7    | CKM501-4 BG 40-156 | 0.056      | B          | 15.0   | 11.0   | 14.0   | 5.08   | 10.16  | 0.60       |
| 8    | CKM501-4 BG 40-168 | 0.068      | B          | 15.0   | 11.0   | 14.0   | 5.08   | 10.16  | 0.60       |
| 9    | CKM501-4 BG 40-182 | 0.082      | C          | 16.0   | 11.0   | 19.0   | 5.08   | 15.24  | 0.80       |
| 10   | CKM501-4 BG 40-010 | 0.100      | C          | 16.0   | 11.0   | 19.0   | 5.08   | 15.24  | 0.80       |
| 11   | CKM501-4 BG 40-012 | 0.120      | C          | 16.0   | 11.0   | 19.0   | 5.08   | 15.24  | 0.80       |
| 12   | CKM501-4 BG 40-015 | 0.150      | C          | 16.0   | 11.0   | 19.0   | 5.08   | 15.24  | 0.80       |
| 13   | CKM501-4 BG 40-018 | 0.180      | D          | 16.0   | 11.0   | 32.0   | 5.08   | 27.94  | 0.80       |
| 14   | CKM501-4 BG 40-022 | 0.220      | D          | 16.0   | 11.0   | 32.0   | 5.08   | 27.94  | 0.80       |
| 15   | CKM501-4 BG 40-027 | 0.270      | D          | 16.0   | 11.0   | 32.0   | 5.08   | 27.94  | 0.80       |
| 16   | CKM501-4 BG 40-033 | 0.330      | D          | 16.0   | 11.0   | 32.0   | 5.08   | 27.94  | 0.80       |
| 17   | CKM501-4 BG 40-039 | 0.390      | E          | 17.0   | 13.5   | 32.0   | 5.08   | 27.94  | 0.80       |
| 18   | CKM501-4 BG 40-047 | 0.470      | E          | 17.0   | 13.5   | 32.0   | 5.08   | 27.94  | 0.80       |
| 19   | CKM501-4 BG 40-056 | 0.560      | F          | 23.0   | 13.5   | 32.0   | 10.16  | 27.94  | 0.80       |
| 20   | CKM501-4 BG 40-068 | 0.680      | F          | 23.0   | 13.5   | 32.0   | 10.16  | 27.94  | 0.80       |
| 21   | CKM501-4 BG 40-082 | 0.820      | G          | 26.0   | 17.0   | 32.0   | 10.16  | 27.94  | 0.80       |
| 22   | CKM501-4 BG 40-1.0 | 1.00       | G          | 26.0   | 17.0   | 32.0   | 10.16  | 27.94  | 0.80       |
|      |                    |            |            |        |        |        |        |        |            |

**CKM501-4 BG 630 VDC**

| B4F6 | Type               | Cn<br>[μF] | Dimensions |        |        |        |        |        |            |
|------|--------------------|------------|------------|--------|--------|--------|--------|--------|------------|
|      |                    |            | Case       | B [mm] | H [mm] | L [mm] | Y [mm] | X [mm] | ø lead[mm] |
| 1    | CKM501-4 BG 63-210 | 0.0010     | A          | 15.0   | 11.0   | 11.0   | 5.08   | 7.62   | 0.60       |
| 2    | CKM501-4 BG 63-212 | 0.0012     | A          | 15.0   | 11.0   | 11.0   | 5.08   | 7.62   | 0.60       |
| 3    | CKM501-4 BG 63-215 | 0.0015     | A          | 15.0   | 11.0   | 11.0   | 5.08   | 7.62   | 0.60       |
| 4    | CKM501-4 BG 63-218 | 0.0018     | A          | 15.0   | 11.0   | 11.0   | 5.08   | 7.62   | 0.60       |
| 5    | CKM501-4 BG 63-222 | 0.0022     | A          | 15.0   | 11.0   | 11.0   | 5.08   | 7.62   | 0.60       |
| 6    | CKM501-4 BG 63-227 | 0.0027     | A          | 15.0   | 11.0   | 11.0   | 5.08   | 7.62   | 0.60       |
| 7    | CKM501-4 BG 63-233 | 0.0033     | A          | 15.0   | 11.0   | 11.0   | 5.08   | 7.62   | 0.60       |
| 8    | CKM501-4 BG 63-239 | 0.0039     | A          | 15.0   | 11.0   | 11.0   | 5.08   | 7.62   | 0.60       |
| 9    | CKM501-4 BG 63-247 | 0.0047     | A          | 15.0   | 11.0   | 11.0   | 5.08   | 7.62   | 0.60       |
| 10   | CKM501-4 BG 63-256 | 0.0056     | A          | 15.0   | 11.0   | 11.0   | 5.08   | 7.62   | 0.60       |
| 11   | CKM501-4 BG 63-268 | 0.0068     | A          | 15.0   | 11.0   | 11.0   | 5.08   | 7.62   | 0.60       |
| 12   | CKM501-4 BG 63-282 | 0.0082     | A          | 15.0   | 11.0   | 11.0   | 5.08   | 7.62   | 0.60       |
| 13   | CKM501-4 BG 63-110 | 0.010      | A          | 15.0   | 11.0   | 11.0   | 5.08   | 7.62   | 0.60       |
| 14   | CKM501-4 BG 63-112 | 0.012      | A          | 15.0   | 11.0   | 11.0   | 5.08   | 7.62   | 0.60       |
| 15   | CKM501-4 BG 63-115 | 0.015      | A          | 15.0   | 11.0   | 11.0   | 5.08   | 7.62   | 0.60       |
| 16   | CKM501-4 BG 63-118 | 0.018      | B          | 15.0   | 11.0   | 14.0   | 5.08   | 10.16  | 0.60       |
| 17   | CKM501-4 BG 63-122 | 0.022      | B          | 15.0   | 11.0   | 14.0   | 5.08   | 10.16  | 0.60       |
| 18   | CKM501-4 BG 63-127 | 0.027      | B          | 15.0   | 11.0   | 14.0   | 5.08   | 10.16  | 0.60       |
| 19   | CKM501-4 BG 63-133 | 0.033      | B          | 15.0   | 11.0   | 14.0   | 5.08   | 10.16  | 0.60       |
| 20   | CKM501-4 BG 63-139 | 0.039      | C          | 16.0   | 11.0   | 19.0   | 5.08   | 15.24  | 0.80       |
| 21   | CKM501-4 BG 63-147 | 0.047      | C          | 16.0   | 11.0   | 19.0   | 5.08   | 15.24  | 0.80       |
| 22   | CKM501-4 BG 63-156 | 0.055      | C          | 16.0   | 11.0   | 19.0   | 5.08   | 15.24  | 0.80       |
| 23   | CKM501-4 BG 63-168 | 0.068      | C          | 16.0   | 11.0   | 19.0   | 5.08   | 15.24  | 0.80       |
| 24   | CKM501-4 BG 63-182 | 0.082      | D          | 16.0   | 11.0   | 32.0   | 5.08   | 27.94  | 0.80       |
| 25   | CKM501-4 BG 63-010 | 0.100      | D          | 16.0   | 11.0   | 32.0   | 5.08   | 27.94  | 0.80       |
| 26   | CKM501-4 BG 63-012 | 0.120      | D          | 16.0   | 11.0   | 32.0   | 5.08   | 27.94  | 0.80       |
| 27   | CKM501-4 BG 63-015 | 0.150      | D          | 16.0   | 11.0   | 32.0   | 5.08   | 27.94  | 0.80       |
| 28   | CKM501-4 BG 63-018 | 0.180      | E          | 17.0   | 13.5   | 32.0   | 5.08   | 27.94  | 0.80       |
| 29   | CKM501-4 BG 63-022 | 0.220      | E          | 17.0   | 13.5   | 32.0   | 5.08   | 27.94  | 0.80       |
| 30   | CKM501-4 BG 63-027 | 0.270      | F          | 23.0   | 13.5   | 32.0   | 10.16  | 27.94  | 0.80       |
| 31   | CKM501-4 BG 63-033 | 0.330      | F          | 23.0   | 13.5   | 32.0   | 10.16  | 27.94  | 0.80       |
| 32   | CKM501-4 BG 63-039 | 0.390      | G          | 26.0   | 17.0   | 32.0   | 10.16  | 27.94  | 0.80       |
| 33   | CKM501-4 BG 63-047 | 0.470      | G          | 26.0   | 17.0   | 32.0   | 10.16  | 27.94  | 0.80       |
|      |                    |            |            |        |        |        |        |        |            |