

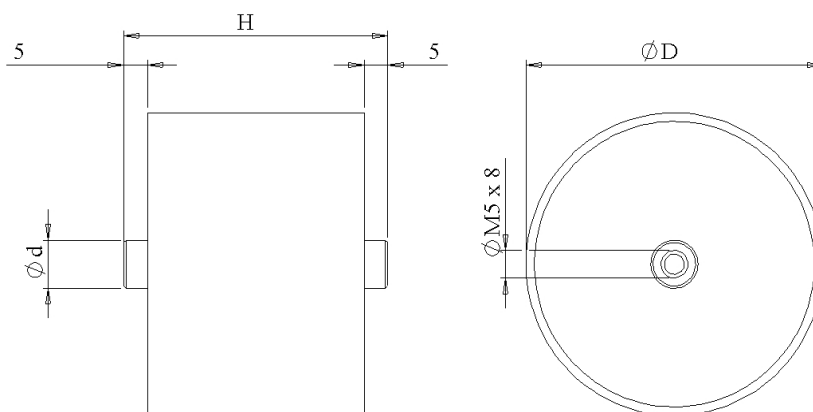
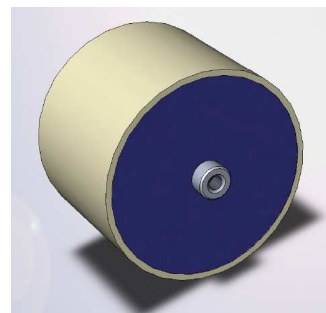
6287

High Voltage film-foil capacitors

TYPE
PN 250-313 uv F

Dielectric polystyrene - Plastic tube

Polyurethane resin sealing - Threaded inserts



Parameters	Symbol	Value	Unit	Condition
Capacitance	C	130	pF	20°C, 1 kHz
Tolerance		± 1	%	
Rated voltage	Un AC	2'500	VAC	15 Hz to 400 Hz
Tangent delta	tgδ	≤ 1.0 E-4		2500 VAC / 50 Hz / 20 °C
Stray inductance	ESL	≤ 200	nH	
Insulation resistance	Ri	> 100'000	MΩ	500 VDC - 1 min
Test voltage between terminals	UT1	3'125	VAC	50 Hz / 1 min
Operating Temperature		-20 / + 60	°C	
Long Time stability Δ C/C		± 0.07	%	one year
Estimated operational life		> 30'000	h	2500 VAC / 50 Hz / 40°C

Dimension	Symbole	Value	Unité	Conditions
Diameter	D	70	mm	
Height	H	57	mm	
Terminals				
Thread		M5 x 8	mm	
	ø d	10	mm	

	M2			
	M1			
	M0			
	Modification	Date	Visa émetteur	

Condensateurs CH 1400 Yverdon, Switzerland
 Kondensatoren Tel.: ++41 24 445 66 88
 Capacitors Fax: ++41 24 445 66 89

Leclanché
Capacitors
A FISCHER & TALSCHER COMPANY

HJJ

www.Lcap.ch

10.04.2014

capinfo@Lcap.ch

faisab6287.XLS