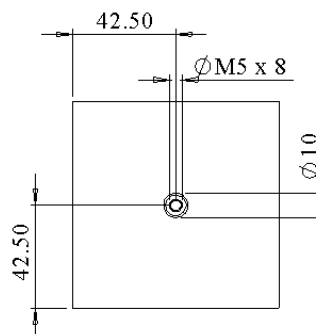
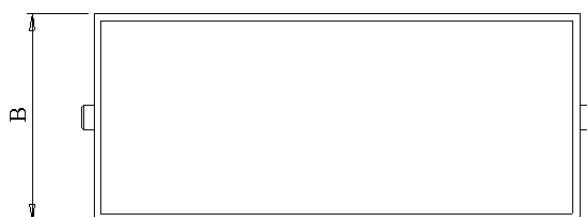
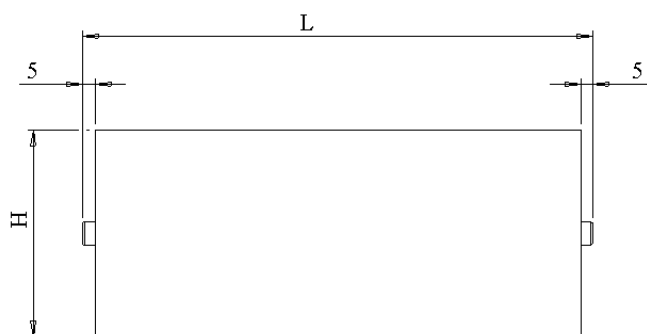


6043

High Voltage film-foil capacitors

TYPE
PN 2000-320 ru F

Dielectric polystyrene - Plastic case

Polyurethane resin sealing - Threaded outputs

Paramètre	Symbol	Value	Unit	Condition
Capacitance	C	200	pF	20°C, 1 kHz
Tolérance		± 1	%	
Rated voltage	Un AC	20000	VAC	15 Hz to 400 Hz
Tangent delta	tgδ	≤ 1.0 E-4		20kVAC / 50 Hz / 20 °C
Stray inductance	ESL	≤ 300	nH	
Insulation resistance	Ri	> 100'000	MΩ	500 VDC - 1 min
Test voltage between terminals	U T1	25'000	VAC	50 Hz / 1 min
Operating Temperature		-20 / + 60	°C	
Long Time stability Δ C/C		± 0.1	%	one year
Estimated operational life		> 30'000	h	20 kVAC / 50 Hz / 40°C

Dimension	Symbole	Unité	Conditions
Width	B	85 mm	
Height	H	85 mm	
Length	L	210 mm	
Terminals			
Thread		M 5 x 10 mm	

	M2		
	M1		
	M0		
	Modification	Date	Visa émetteur

Condensateurs CH 1400 Yverdon, Switzerland
 Kondensatoren Tel.: ++41 24 445 66 88
 Capacitors Fax: ++41 24 445 66 89

Leclanché
Capacitors
A FISCHER & TAUSSCHÉ COMPANY

HJJ

www.Lcap.ch
 08.09.2011

capinfo@Lcap.ch
 faisab6043.XLS