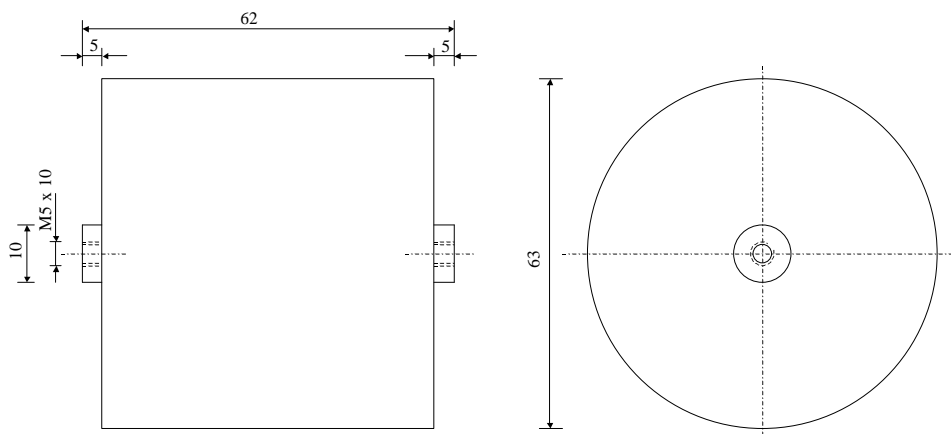


#	Discharge capacitors	TYPE MIXHT 3000-210
---	----------------------	------------------------



Mixed dielectric - Film-foil

Epoxy resin sealing

Parameter	Symbol	Value	Unit	Condition
Capacitance	C	1	nF	20°C, 1
Tolerance		10	%	
Rated	Un	30000	VDC	
Rated	Un	2500	VAC	
RMS current	I	0.4	A	f > 29
Slope of voltage	du/dt	100'000	V/μs	max.
Repetitive surge	I cr.	100	A	max.
Power loss	tgδ	≤ 15 E-4		1 V / 1 kHz / 25 °C
Stray	ESL	≤ 100	nH	
Insulation	Ri x C	> 20'000	s	500 VDC - 1 min
Test voltage between	U T1	60000	VDC	1 min
Climatic		25/70/56		
Estimated operational		300'000	pulses	30000 V p-p

Dimension	Symbol	Value	Unit	Conditions
Diameter	∅	63	mm	
Height	H	52	mm	
Terminals				
Thread		M5 x 10	mm	

Valeurs indicatives, sous réserve de modification	M2			
	M1			
	M0			
	Modification	Date	Author	

Condensateur CH Yverdon, Switzerland
Kondensatoren Tel.: +41 24 445 66 88
Capacitors Fax: +41 24 445 66 89

Ledanché
Capacitors
A FRONER & TRUSSARDI COMPANY

289

22.03.2004

faisab5417.XLS