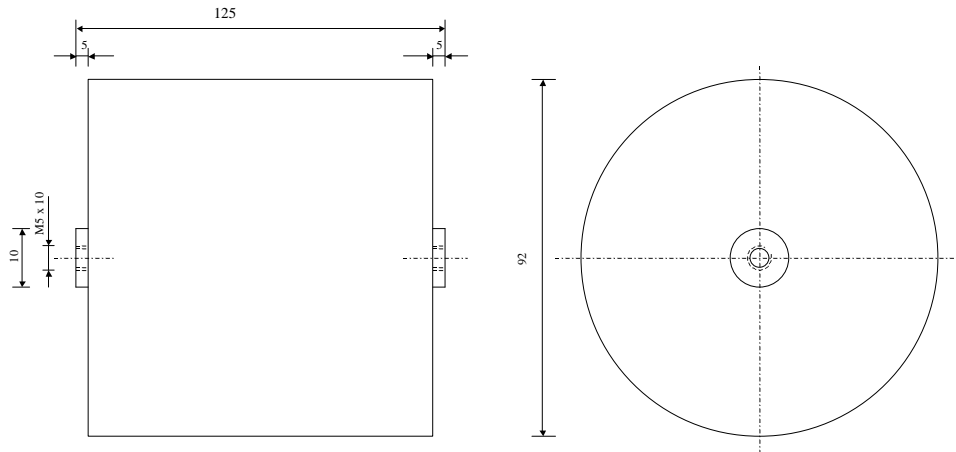


#	Discharge capacitors	TYPE MIXHT 3000-110
---	----------------------	------------------------



Mixed dielectric - Film-foil

Epoxy resin sealing

Parameter	Symbol	Value	Unit	Condition
Capacitance	C	10	nF	20°C, 1
Tolerance		10	%	
Rated	Un	30000	VDC	
Rated	Un AC	2500	VAC	
RMS current	I	1	A	f > 6300
Slope of voltage	du/dt	30'000	V/μs	max.
Repetitive surge	I cr.	300	A	max.
Power loss	tgδ	≤ 10 E-4		1 V / 1 kHz / 25
Stray	ESL	≤ 100	nH	
Insulation	Ri x C	> 20'000	s	500 VDC - 1
Test voltage between	U T1	60000	VDC	1
Climatic		25/70/56		
Estimated operational		1'000'000	pulses	30000 V p-p

Dimension	Symbol	Value	Unit	Conditions
Diameter	∅	92	mm	
Height	H	115	mm	
Terminals				
Thread		M5 x 10	mm	

M2			
M1			
M0			
Modification	Date	Author :	

Condensateur CH Yverdon, Switzerland
Kondensatoren Tél.+41 24 445 66 88
Capacitors Fax: +41 24 445 66 89

Leclanché
Capacitors
A FROEHN & SAUSCHKE COMPANY

289

01.03.2004

faisab5407.XLS