

Leclanché Capacitors  
48, av. de Grandson  
1400 Yverdon, Switzerland



Tel. +41 24 445 66 88  
Fax +41 24 445 66 89  
[capinfo@Lcap.ch](mailto:capinfo@Lcap.ch)  
[www.Lcap.ch](http://www.Lcap.ch)

Drawing No. : 1024806-53567

created from : 14/03/2013 16:56:00

**Part Number : GWE90140050065**

	<p>∅ D : 50 mm</p> <p>L : 65,7±1 mm</p> <p>LüA 69,2±1 mm</p> <p>a : 22±0,5 mm</p> <p>S3 : 52 mm</p> <p>Terminals : 1900-32-UNJF-3B</p>	
--	---	--

**Electrical Parameter**

Rated Capacitance ( C <sub>R</sub> ) @ 100 Hz / 20 °C	<b>900</b> μF	
Tolerance	<b>±10</b> %	
Rated Voltage ( U <sub>R</sub> )	<b>400</b> V	
Surge Voltage ( U <sub>S</sub> ) max. 5 x 1 min / h	<b>440</b> V	
Reverse Voltage ( U <sub>U</sub> ) max. 1 s	<b>2</b> V	
Leakage Current ( I <sub>L</sub> ) @ U <sub>R</sub> / 5 min / 20 °C	<b>2160</b> μA	
ESR typ. @ 100 Hz / 20°C	<b>106</b> mΩ	
Tan δ typ. @ 100 Hz / 20°C	<b>6</b> %	
Z max. @ 10 kHz / 20°C	<b>85</b> mΩ	
ESL typ.	<b>20</b> nH	
Useful life / No. flash @ I <sub>R</sub> , U <sub>R</sub> , 70°C	<b>4000</b> h	10,8 Mio
IEC Climatic category / Standards	<b>55/70/56</b>	<b>IEC 60384-4</b>
Applications	Aviation Flash	

Leclanché Capacitors  
48, av. de Grandson  
1400 Yverdon, Switzerland



Tel. +41 24 445 66 88  
Fax +41 24 445 66 89  
[capinfo@Lcap.ch](mailto:capinfo@Lcap.ch)  
[www.Lcap.ch](http://www.Lcap.ch)

Drawing No. : 1024806-53567

created from : 14/03/2013 16:56:00

**Part Number : GWE90140050065**

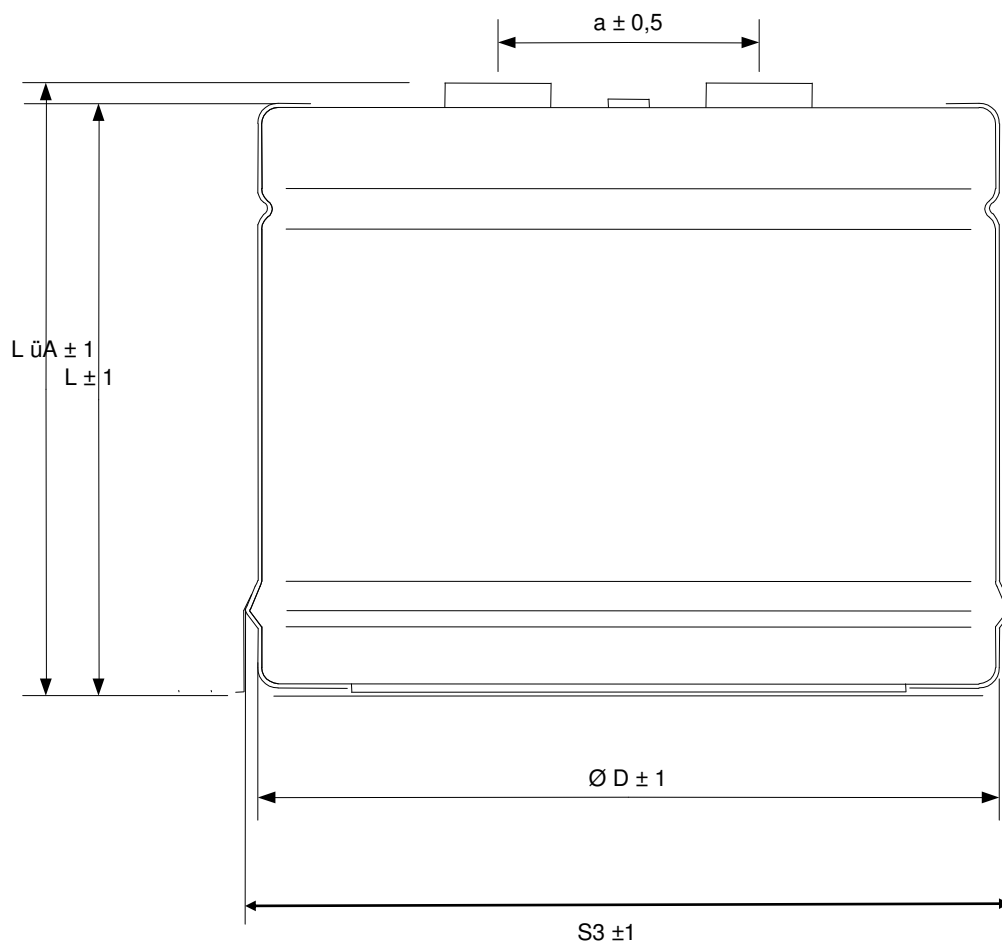
Your article No. / Project

Possible major failure modes:

Breakdown - Probability 10 ppm beside early failure (unpredictable)

Corrosion (no contact) due to unknown impurities – Probability 1 ppm

End of life failure – dryout (lack of electrolyte), no capacitance



Leclanché Capacitors  
48, av. de Grandson  
1400 Yverdon, Switzerland



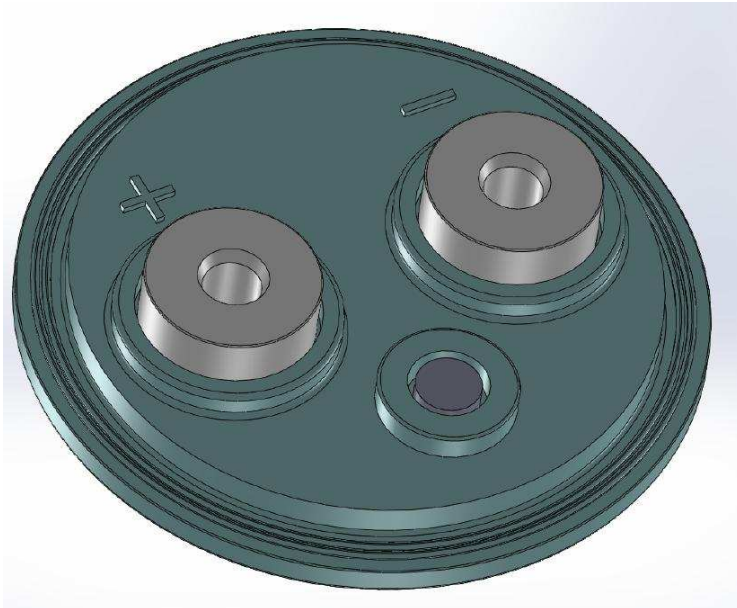
Tel. +41 24 445 66 88  
Fax +41 24 445 66 89  
[capinfo@Lcap.ch](mailto:capinfo@Lcap.ch)  
[www.Lcap.ch](http://www.Lcap.ch)

Drawing No. : 1024806-53567

created from : 14/03/2013 16:56:00

**Part Number : GWE90140050065**

### 3D Drawing -Disk



1. Terminals diameter and tolerance on the diameter  $12,8 \pm 0,05$  mm

