

Leclanché Capacitors
48, av. de Grandson
1400 Yverdon, Switzerland



Tel. +41 24 445 66 88
Fax +41 24 445 66 89
capinfo@Lcap.ch
www.Lcap.ch

Typ : GW58240075101

Mechanical details are shown
in drawing on page 3

Electrical Parameter

Rated Capacitance (C_R) 100 Hz / 20 °C	5800 μ F	
Tolerance	± 20 %	
Rated Voltage (U_R)	400 V	
Operating Voltage (U_{op})	375 V	
Surge Voltage (U_S) max. 5 x 1 min / h	440 V	Transient voltages up to 500 V possible (few seconds)
Reverse Voltage (U_U) max. 1 s	2 V	
Leakage Current (I_L) U_R / 5 min / 20 °C	8600 μ A	
ESR typ. 100 Hz / 20°C	13 m Ω	
ESR max. 100 Hz / 20°C	30 m Ω	
Tan δ typ. 100 Hz / 20°C	6 %	
Z max. 10 kHz / 20°C	24 m Ω	
ESL typ.	13 nH	
Rated Ripple Current (I_R) 100 Hz / 85°C	29,5 A	Cooled at base of can
Operating Ripple Current I_{op}	75 A	@375 V, 300 Hz, 60°C @Heatsink, 25000 h $I_{op} = I_R * K_1 I^* K_2 I$, limited by terminals
Useful life @ I_R , U_R , 85°C	15000 h	
K_1 ESR 300 Hz/ESR 100 Hz	0,80	
K_2 ESR 85°C / ESR 20°C	0,5	
K_1 I 300 Hz / I 100 Hz	1,12	
$K_{1,b}$ I 100Hz / 1,2 kHz	1,18	

Leclanché Capacitors
48, av. de Grandson
1400 Yverdon, Switzerland



Tel. +41 24 445 66 88

Fax +41 24 445 66 89

capinfo@Lcap.ch

www.Lcap.ch

Drawing No. : 3384
created: 03.11.2009

Page 2

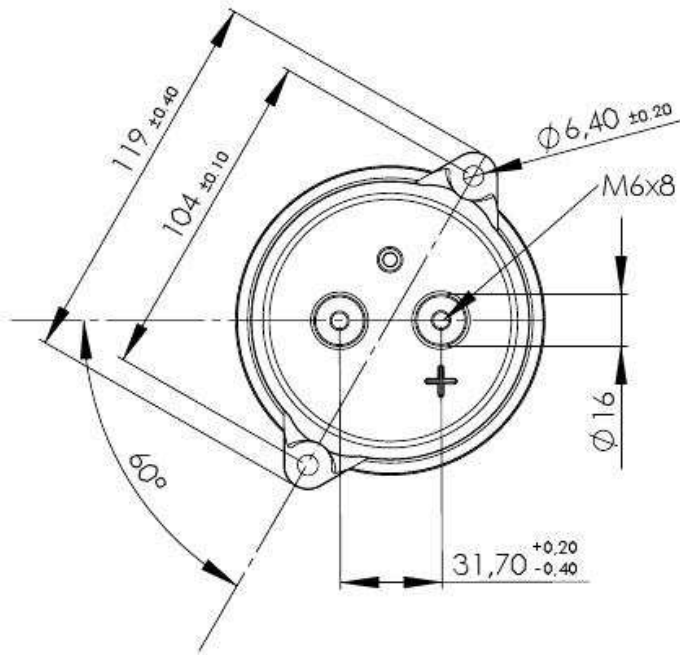
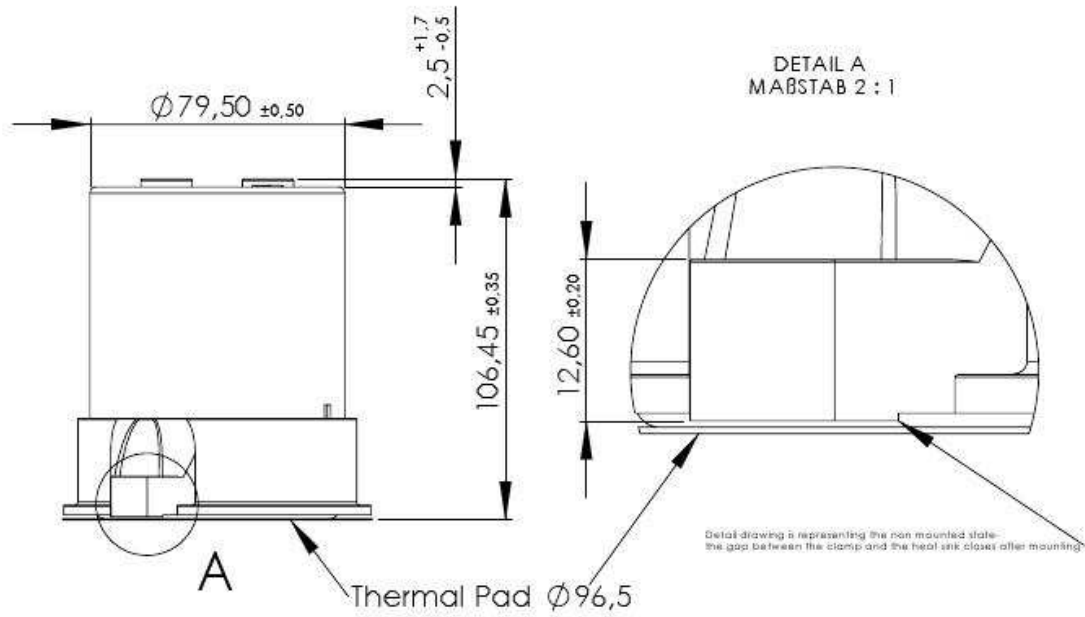
Typ : GW58240075101

K2 I (60°C, case temperature)	2,27	
IEC Climatic category / Standards	25/85/56 (-25°C – 85°C)	IEC 384-4 CECC 30301-803
Colour of PA Housing	black	
Applications	Inverter	
Your article No.. / Project	Megamaster	

Drawing No. : 3384
created: 03.11.2009

Page 3

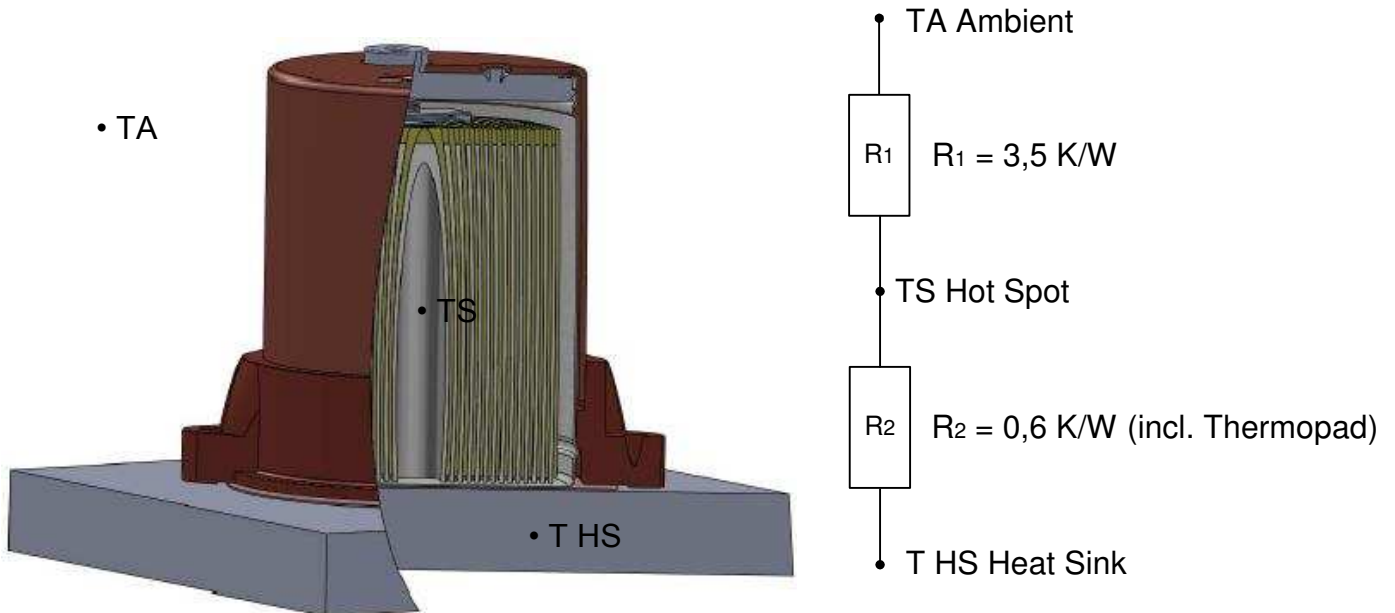
Typ : GW58240075101



Material: Polyamid, PA66, (BASF, A3X3G5, black)

Typ : GW58240075101

Simplified thermal model



$$T_{\text{Hot Spot}} \approx PV * R_2 + T_{\text{Heat Sink}}$$

Leclanché Capacitors
48, av. de Grandson
1400 Yverdon, Switzerland



Tel. +41 24 445 66 88
Fax +41 24 445 66 89
capinfo@Lcap.ch
www.Lcap.ch

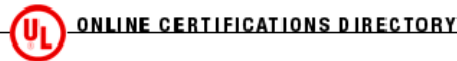
Drawing No. : 3384
created: 03.11.2009

Page 5

Typ : GW58240075101

UL data for the used materials

Part	Material	Supplier	Code	UL File No.	Flame Class
Clamp and bearing ring	Polyamid 66	BASF AG	A3X2G5	E41871	V-0
Thermal pad	TC-(xx)CG-AV	Kunze	KU-CG-45AV	E48923	V-0



**QMFZ2.E41871
Plastics - Component**

Additional information regarding this certification can be found in UL's IQ Family of Databases (www.ul.com/iq).
NEW -- for additional information concerning the individual material, click on the material designation.

[Page Bottom](#)

Plastics - Component

[See General Information for Plastics - Component](#)

BASF SE
ENGINEERING PLASTICS EUROPE
E-KTE/MP - F206
67056 LUDWIGSHAFEN, GERMANY

E41871

Material Dsg	Color	Min. Thk mm	Flame Class	H		R T I			V 4 C		
				W	A	Elec	Mech		T	9	T
				I	I	Imp	Str	R	5	I	
Polyamide 66 (PA66), glass reinforced, "Ultramid", furnished as pellets.											
A3X2G5	NC, BK	0.40	HB	4	0	110	115	-	1	6	0
		0.60	HB	2	0	110	115	-			
	NC, BK, GY	0.81	V-0	0	0	120	115	130			
		3.0	V-0, 5VA	0	0	120	115	130			

Leclanché Capacitors
 48, av. de Grandson
 1400 Yverdon, Switzerland



Tel. +41 24 445 66 88
 Fax +41 24 445 66 89
capinfo@Lcap.ch
www.Lcap.ch

Drawing No. : 3384
 created: 03.11.2009

Page 6

Typ : GW58240075101



ONLINE CERTIFICATIONS DIRECTORY

[OCD Home](#) [Quick Guide](#) [Contact Us](#) [UL.com](#)

QMFZ2.E48923
Plastics - Component

[Page Bottom](#)

Plastics - Component

[See General Information for Plastics - Component.](#)

SHIN-ETSU CHEMICAL CO LTD
 SILICONE DIV
 6-1 OHTEMACHI 2-CHOME
 CHIYODA-KU, TOKYO 100-0004 JAPAN

E48923

Material Dsg	Color	Min. Thk mm	Flame Class	H		R T I			H D		
				W	A	Elec	Mech	V	4	C	
				I	I	Imp	Str	T	9	T	
EPR/SI, furnished as two liquid components.											
Silicone (SI), conductive, furnished as sheets, tape, vulcanized parts.											
TC-(xx)CG-AV	ALL	0.15	V-0	4	0	150	150	150	0	0	0
		0.45	V-0	2	0	150	150	150			
		0.75	V-0	2	0	150	150	150			

Typ : GW58240075101

Material Data sheet

Element	Material	CAS No.	Weight %
Winding*	Aluminium	7429-905	33
	Paper	9004-34-6	12
Electrolyte*	Ethylene Glycol	107-21-1	21
	Ammonium Borate	12007-521-1	5
Case	Aluminium	7429-905	8
Disk	Phenolic Resin	9003-35-4	5
Gasket	EPDM Rubber	25038-36-2	0,3
Vent	Silicone	NA	0,03
Terminal	Aluminium	7429-905	1
Clamp and Bearing Ring	Polyamide PA66	63428-83-1	13
Bottom Pad	Silicone	NA	1

* Additives of the winding and electrolyte over 1 W% are not shown

The used housing materials are well known and tested to be chemically stable under the specified UN and IR load conditions, in the temperature range of -25°C to $+85^{\circ}\text{C}$.

Whereas it is well known that the winding plus electrolyte will deteriorating during the lifetime under the specified load conditions.

The used electrolyte system is self extinguishing. From experience we assume that the borate is reacting with ethylene glycol to form a chemically stable borate glycol ester accompanied by water formation. From experience this ester withstands 85°C for long life times. The formed water partially diffuse out of the capacitor during lifetime. Volatile Ammonia which forms out of the Ammonium kation in the conducting salt in the electrolyte will also partially evaporate. This effect will reduce the electrical conductivity over lifetime and will increase the ESR value.

Typ : GW58240075101

Mounting

Position

Upright position is recommended to prevent electrolyte leakage in case of vent opening.

Horizontal mounting is also possible but the vent must faces upwards.

Terminals

Maximum torques values should not be exceed:

Torque moments are given in Nm

M6 screw head

Minimum screw-in depth of 7 mm with max. torque 6 Nm

Maximum screw-in depth of 9 mm with a max torque 9 Nm.

Ring Clamp

Maximum torques values should not be exceed:

Torque moments in Nm

Minimum	Nominal	Maximum
3	5	10

Leclanché Capacitors
48, av. de Grandson
1400 Yverdon, Switzerland



Tel. +41 24 445 66 88

Fax +41 24 445 66 89

capinfo@Lcap.ch

www.Lcap.ch

Drawing No. : 3384
created: 03.11.2009

Page 9

Typ : GW58240075101

Voltage free storage and reforming

GW58240075101 can be stored voltage free for ca. 2 years at a storage temperature of $\leq 42^{\circ}\text{C}$ without a necessary reforming step.

For storage times over 2 years a reforming process according to IEC 60384-4 should be proceeded.

For build in capacitors an operating for one hour at rated voltage without load is sufficient for oxide layer regeneration.

Generally a reforming process should be performed in applying rated voltage over a serial resistor of 1 kOhm at the capacitor for one hour. After that treatment the capacitor must be stored for 48 h at room temperature ($20\text{-}30^{\circ}\text{C}$) voltage free. The leakage current must then be measured, at latest after 48 h.