

DPM 2S-BL

3½ Digit Backlit LCD Module

The DPM 2S-BL uses the latest miniaturisation techniques to produce one of the world's smallest DPM modules with LED backlighting. Miniature size means the meter can be integrated into the smallest enclosures for local indication. Its low cost means it will suit high and low volume applications. The snap-in integral bezel makes installation easy. For single rail operation, the DPM 2S-BL features a negative rail generator which enables the meter to measure a signal referenced to its own power supply 0V.

- 🔊 8.25mm (0.32") Digit Height
- 🔊 Programmable Decimal Points
- 🔊 Auto-zero
- 🔊 Auto-polarity
- 🔊 200mV d.c. Full Scale Reading (F.S.R.)
- 🔊 LED Backlighting

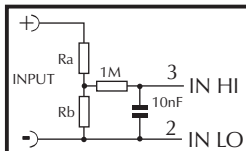


SCALING

A potential divider may be used to alter the full scale reading (F.S.R.) of the meter - see table.

NOTES

The meter will have to be re-calibrated by adjusting the calibration potentiometer at the rear of the module.



| Required F.S.R. | Ra | Rb |
|-----------------|------|------|
| 2V | 910k | 100k |
| 20V | 1M | 10k |
| 200V | 1M | 1k |
| 2kV note | 10M | 1k |
| 200µA | 0R | 1k |
| 2mA | 0R | 100R |
| 20mA | 0R | 10R |
| 200mA | 0R | 1R |

Note

Ensure that Ra is rated for high voltage use.

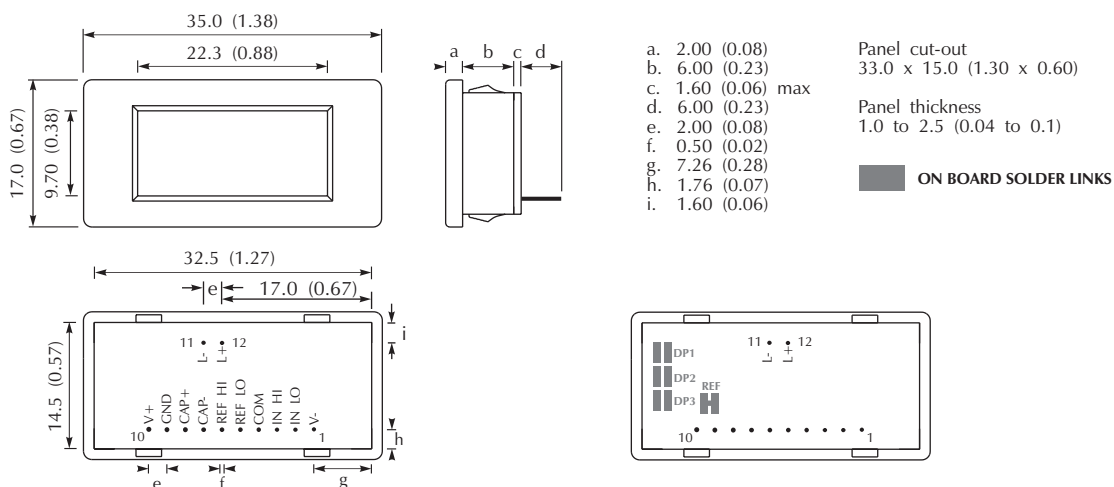
| Single Rail Meter | | | | Stock Number |
|-----------------------------------|------|------|------|--------------|
| | | | | DPM 2S-BL |
| Specification | Min. | Typ. | Max. | Unit |
| Accuracy (overall error) * | | 0.1 | | % (±1 count) |
| Linearity | | | ±1 | count |
| Sample rate | | 3 | | samples/sec |
| Operating temperature range | 0 | | 50 | °C |
| Temperature stability | | 100 | | ppm/°C |
| Supply voltage | 3 | 5 | 7 | V |
| Supply current (backlighting off) | | 250 | | µA |
| Backlight current @ 5V d.c. | | 20 | 30 | mA |
| Input leakage current (Vin = 0V) | | 1 | 10 | pA |

* To ensure maximum accuracy, re-calibrate periodically.

CONNECTOR SOURCING GUIDE

| METHOD | SUPPLIED WITH PRODUCT |
|--------|-----------------------|
|--------|-----------------------|

DIMENSIONS All dimensions in mm (inches)



PANEL FITTING

Locate the meter by passing it through the front of the panel cut-out, gently pushing until the rear of the bezel is flush with the panel (DO NOT PUSH ON THE LCD). The snap-in lugs will now automatically hold the meter firmly in position.

WEBSITE: <http://www.lascarelectronics.com/>

PIN FUNCTIONS

1. V- C2 negative connection.
2. IN LO Negative measuring input.]
3. IN HI Positive measuring input.] The negative supply of the DPM 2S-BL is generated internally and mirrors the positive supply voltage.
4. COM Ground for analogue section of A/D converter, it is actively held at 2.8V below V+ and must not be allowed to sink excessive current (>100µA) by, for instance, connecting to a higher voltage.
5. REF LO Negative input for reference voltage.
6. REF HI Positive input for reference voltage (connected via Link REF to internal reference).
7. CAP-]
8. CAP+] Charge pump capacitor connections.
9. GND 0V power supply connection.
10. V+ Positive power supply connection.
11. L- Negative LED backlighting connection.
12. L+ Positive LED backlighting connection.

ON BOARD LINKS

On board links can be made with a solder link to implement features.

DP1 Make to turn on DP1 (199.9).

DP2 Make to turn on DP2 (19.99).

DP3 Make to turn on DP3 (1.999).

REF Factory made - Connects internal reference to REF HI. It should only be opened if an external reference is used.

BACKLIGHTING

Apply 5V d.c. to pins 11 and 12. Typical backlighting current is 15mA. For higher voltages fit a series resistor.

E.g. For 9V use 150 Ohm / 1/4W resistor. Do not exceed the maximum LED backlighting current of 30mA.

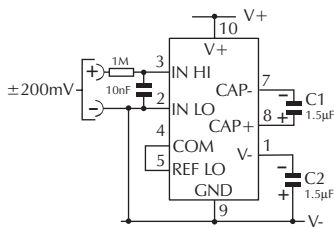
SAFETY

To comply with the Low Voltage Directive (LVD 93/68/EEC), input voltages to the module's pins must not exceed 60Vdc. If voltages to the measuring inputs do exceed 60Vdc, then fit scaling resistors externally to the module. The user must ensure that the incorporation of the DPM into the user's equipment conforms to the relevant sections of BS EN 61010 (Safety Requirements for Electrical Equipment for Measuring, Control and Laboratory Use).

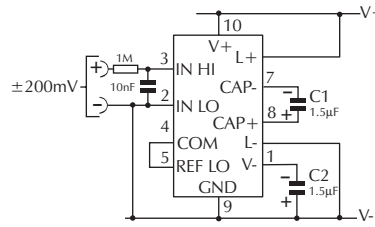
VARIOUS OPERATING MODES

ON-BOARD LINKS: In order to quickly and easily change operating modes for different applications, the meter has several "on-board links". They are designed to be easily opened (de-soldered) or shorted (soldered).

Do not connect more than one meter to the same power supply if the meters cannot use the same signal ground. Input filter should be as close as possible to the meter. Taking any input beyond the power supply rails will damage the meter.



Check Link REF is SHORTED
 Measuring a single ended input referenced to supply.



Check Link REF is SHORTED
 Measuring a single ended input referenced to supply with LED backlighting switched on.