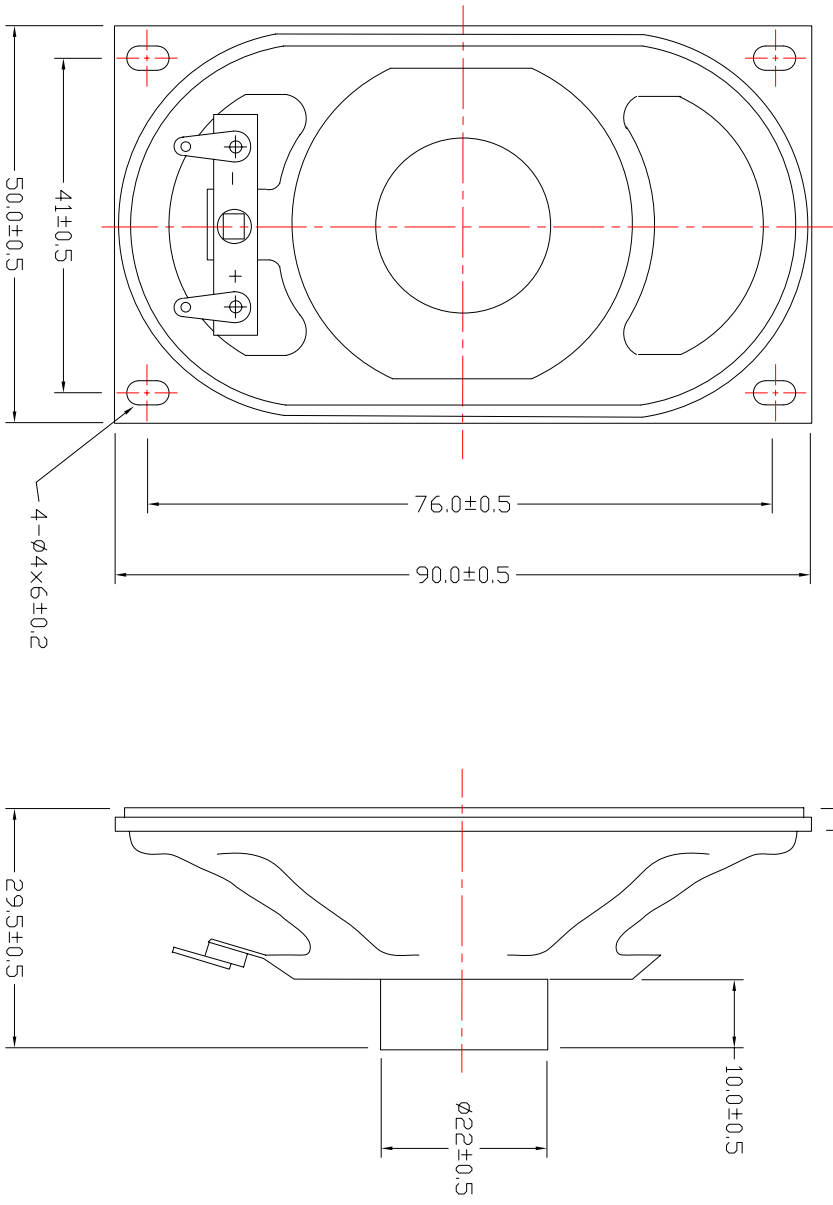


RoHS Compliant

REV	ECO NO.	DATE	BY	APP'D
A	REL TO PRODUCTION PER ECO ECO	12/06/95	KL	
B	Data updated PER ECO 001	8/2/11	KL	



SPECIFICATIONS

Rated Input Power 2.0W Max. 4.0W
 Impedance 8 Ω ms±15% at 1K Hz
 Resonant Frequency(f_{o}) 210 Hz±20% at 1V
 Sensitivity(SPL) 88dB±3dB at 1w,1m
 Frequency Range fo-18K Hz

CONFIDENTIAL

© Copyright 2011 Regal Electronics, Inc.
 This drawing is the property of Regal Electronics and contains confidential information, trade secret information and/or know-how which is the property of Regal Electronics. By accepting this drawing, the recipient agrees not to provide, or otherwise make available, the drawing or any information or know-how embodied therein, to any third party without prior written authorization.

REGAL
ELECTRONICS INC.

DRAWN: KIM	DATE: 12/06/95	TITLE: OVAL SPEAKER
CHECKED:	DATE: 10/12	SIZE: B
ENGINEER:	DATE: 10/12	SCALE: NONE
APPROVED:	DATE:	0-5090-ENL
APPROVED:	DATE:	SHEET 1 OF 1
APPROVED:	DATE:	REV B

UNIT: mm

5 4 3 2 1 DWG NO. 0-5090-ENL

A B C D A B C D