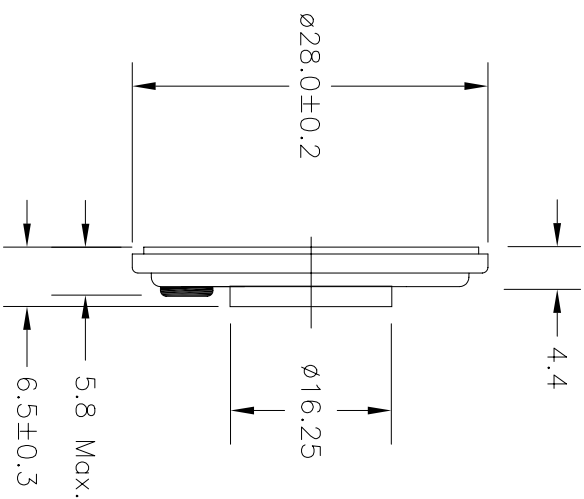
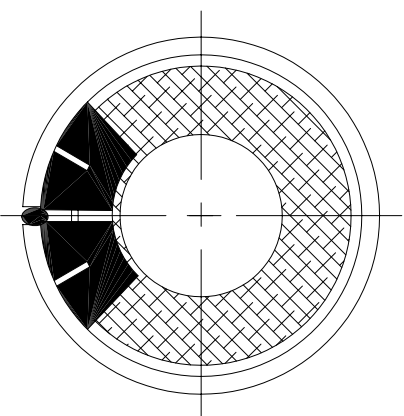


RoHS Compliant

| REV | ECO NO. | DATE | BY | APP'D |
|-----|-------------------------------|---------|----|-------|
| A | REL TO PRODUCTION PER ECO 001 | 7/10/06 | KL | |
| B | update data PER ECO 002 | 1/08/08 | KL | |



UNIT: mm

CONFIDENTIAL

© Copyright 2008 Regal Electronics, Inc. This drawing is the property of Regal Electronics and contains confidential information, trade secret information and/or know-how which is the property of Regal Electronics. By accepting this drawing, the recipient agrees not to provide, or otherwise make available, the drawing or any information or know-how embodied therein, to any third party without prior written authorization.

- SPECIFICATIONS**
1. Dimension $\phi 28 \times H 6.5 \text{ mm}$
 2. Rated Input Power 1.0W Max. 1.5W
 3. Impedance 8 Ohms $\pm 15\%$ at 1K Hz
 4. Resonance Frequency(F_o) 530 Hz $\pm 20\%$ at $F_o, 1V$
 5. Sensitivity(SPL) 85dB ± 3 dB at 1w, 1m
 6. Frequency Range 300-20K Hz

| | | | | |
|------------|---------------|-------------------------------------|------------------------|--------------------|
| DRAWN: KIM | DATE: 7/10/06 | TITLE: MINIATURE HIGH POWER SPEAKER | SCALE: NONE | DWG NO. RH-28-EMNL |
| CHECKED: | DATE: | SIZE: B | DRAWING NO. RH-28-EMNL | DATE: 7/10/06 |
| ENGINEER: | DATE: | REV: B | BY: KL | APP'D: |
| APPROVED: | DATE: | SHEET: 1 | OF: 1 | |
| APPROVED: | DATE: | | | |

A B C D 5 4 3 2 1

A B C D 5 4 3 2 1