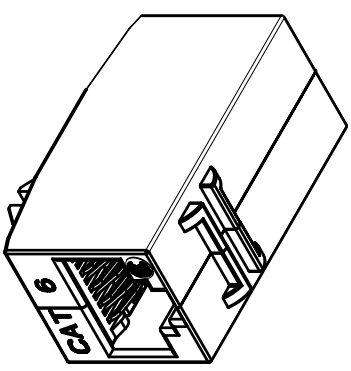
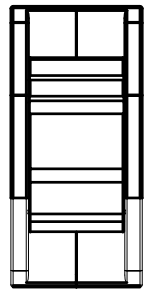
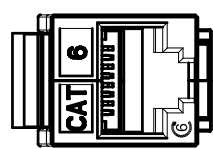
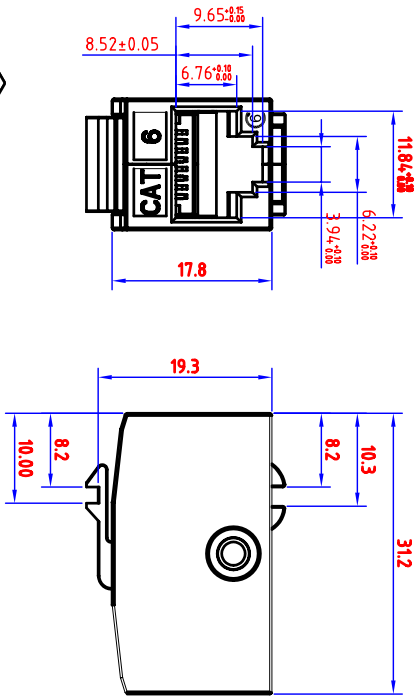
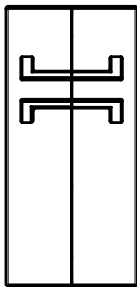


REV	ECO NO.	DATE	BY	APP'D
A	REL TO PRODUCTION PER ECO 001	11/19/09	KL	WEK

DWG NO. M1026KS-8S-C6R



Transmission Performance:
 Meet Cat 6 Channel performance requirements specified in TIA/EIA-568-B.2-1 ENVIRONMENTAL CONDITIONS

Temperature Range
 Storage -40 to +70°C
 Operation -10 to +60°C

Relative Humidity (Operational) : Maximum Noncondensing 93%

ELECTRICAL
 Electrical Insulation Resistance : 500 MOhms min. @ 100V d.c.
 Dielectric Withstanding Voltage : 1000V d.c. or a.c. Peak Contact to Contact @ 60Hz for 1 minute, 1500V d.c. or a.c. Peak Contact to Panel @ 60Hz for 1 minute
 Spring Wire Contact Resistance : 20 mOhms Max. IDC Contact Resistance : 2.5 mOhms Max.
 Current Rating : 1.5A

MECHANICAL
 Retention : 50N (11 lbf) for 60s±5
 Insertion / Extraction Life : 750 Cycles Minimum

PHYSICAL
 Housing : Zinc-alloy fully shielded
 Spring Wire : Phosphor Bronze Alloy Plated With 50 micro-inch of Gold Over 70~100 micro-inch of Nickel

Tolerance unit: mm
 .x ±0.20
 .xx ±0.10

UNIT: mm

CONFIDENTIAL



CAT6 IN-LINE COUPLER

COMPONENTS		
4	LATCH	1
3	INSERT MODULE	2
2	JACK HOUSING LEFT	1
1	JACK HOUSING RIGHT	1
ITEM	PART NAME	QTY

© Copyright 2009 Regal Electronics, Inc. This drawing is the property of Regal Electronics and contains confidential information, trade secret information and/or know-how which is the property of Regal Electronics. By accepting this drawing, the recipient agrees not to provide, or otherwise make available, the drawing or any information or know-how embodied therein, to any third party without prior written authorization.

DRAWN: KIM	DATE: 11/19/09	TITLE: CAT6 IN-LINE COUPLER
CHECKED:	DATE:	SIZE: B
ENGINEER:	DATE:	DRAWING NO. M1026KS-8S-C6R
APPROVED:	DATE:	SCALE: NONE
APPROVED:	DATE:	SHEET 1 OF 1
APPROVED:	DATE:	REV A

C-M1026KS-8S-C6R