

Isys® 3.6” Wall Mount Touch Screen

- > 3.6” active matrix color touch screen display
- > 16-bit Isys® graphics | 320 x 240 resolution
- > Synapse™ Image Rendering Algorithm
- > 10 white backlit pushbuttons and engravable faceplate
- > WAV file customizable audio feedback
- > Ethernet and Cresnet® communications
- > Stylish flush wall mount design
- > Available with almond, black, or white finish
- > Optional faceplates available in 10 designer colors

The Isys® TPS-4L Wall Mount Touch Screen from Crestron® delivers amazing touch screen performance at an incredibly low cost. In the space of a common light switch, the TPS-4L packs a bright, high-contrast 3.6” active matrix touch screen with 16-bit color graphics and 10 backlit pushbuttons.

Crestron touch screens offer an ideal user-interface for controlling everything from audio distribution to complete home automation, providing a wide-open canvas for the creation of custom control screens perfectly tailored to the needs of the end-user. Touch screens do away with piles of remote controls, cluttered wall switches, and cryptic computer screens affording true “one-touch” control over a broad range of complex devices and systems.

Isys®

Isys power and beauty are infused throughout the entire Crestron touch screen lineup. Under the hood, the TPS-4L offers vibrant 16-bit color depth to produce eye-catching graphics and high-res images. The Isys engine supports dynamic graphics and text, full-motion animations, multimode objects, and PNG translucency — all with astonishing speed.

Synapse™

The Crestron exclusive Synapse Image Rendering Algorithm enables system programmers to produce amazing graphics — faster and easier. Advanced antialiasing delivers crisper, sharper objects and text. Enhanced 3D effects add new depth and style. And because Synapse is native to the touch screen, memory requirements and upload time are substantially reduced.

Tactile Pushbuttons

Ten programmable “hard key” pushbuttons are included for quick pushbutton access to commonly used functions. Translucent white backlit buttons and a custom engravable faceplate simplify operation while providing an alluring appearance.

Audio Feedback

Customized WAV files can be loaded on the touch screen to add another dimension to the touch screen graphics and pushbuttons with personalized sounds, button feedback, and voice prompts.



High-Speed Connectivity

Both Cresnet® and high-speed Ethernet are standard on the TPS-4L, providing for easy network integration and seamless communications with Crestron control systems.

Versatile Flush-Mount Design

The TPS-4L is designed for easy flush-mount installation in a wall, lectern or similar flat surface. Mounting clips furnished with the TPS-4L facilitate a clean installation in post-construction drywall and many furniture applications. Additional mounting options are available.

10 Designer Colors

Optional faceplates are available in a choice of 10 designer colors to match any décor. Faceplates may be ordered with or without custom engraving.

SPECIFICATIONS

Touch Screen Display

- Display Type: TFT Active matrix color LCD
- Size: 3.6 inch (91 mm) diagonal
- Aspect Ratio: 4:3 QVGA
- Resolution: 320 x 240 pixels
- Brightness: 300 nits (cd/m²)
- Contrast: 300:1
- Color Depth: 16-bit, 64k colors
- Illumination: Edgelit LED
- Viewing Angle: ±80° horizontal, +80°/-50° vertical
- Touch Screen: Resistive membrane

TPS-4L Isys® 3.6" Wall Mount Touch Screen

Buttons

Hard Keys: (10) Translucent white backlit pushbuttons, programmable
Reset: (1) Miniature pushbutton for hardware reset, behind faceplate

Memory

DRAM: 16 MB
Flash: 8 MB
Maximum Project Size: 7 MB

Graphic Engine

Isys® engine; 16-bit non-palette graphics; 65,536 colors; Synapse™ image rendering algorithm, multi-mode objects, dynamic graphics, PNG translucency, full-motion (60 fps) animation

Communications

Ethernet: 10/100 Mbps, auto-switching, auto-negotiating, auto-discovery, full/half duplex, DHCP
Cresnet®: Cresnet slave mode

Audio

Hardware Features: Built-in amplified speaker (rear), internal volume control
Audio Feedback: WAV format, 8-bit PCM, mono, 8 kHz sampling rate
Amplification: 1 Watt for built-in speaker

Connectors

NET: (1) 4-pin 3.5mm detachable terminal block, Cresnet slave port; Connects to Cresnet control network
LAN: (1) 8-wire RJ45 with 2 LED indicators; 10Base-T/100Base-TX Ethernet port; Green LED indicates link status; Yellow LED indicates Ethernet activity

Power Requirements

Cresnet Power Usage: 5 Watts (0.21 Amp @ 24 Volts DC)

Environmental

Temperature: 32° to 104°F (0° to 40°C)
Humidity: 10% to 90% RH (non-condensing)

Enclosure

Construction: Plastic, flush-mountable using clips provided (additional mounting kits available separately)
Faceplate: Plastic, optional colors available separately

Dimensions

Height: 4.54 in (116 mm)
Width: 6.19 in (158 mm)
Depth: 2.13 in (54 mm)

Weight

15.0 oz (0.43 kg)

MODELS & ACCESSORIES

Available Models

TPS-4LA: Isys® 3.6" Wall Mount Touch Screen, Almond
TPS-4LB: Isys® 3.6" Wall Mount Touch Screen, Black
TPS-4LW: Isys® 3.6" Wall Mount Touch Screen, White

Available Accessories

TPS/TPMC-4L-FPA: Engravable Faceplate, Almond
TPS/TPMC-4L-FPB: Engravable Faceplate, Black
TPS/TPMC-4L-FPBT: Engravable Faceplate, Butter
TPS/TPMC-4L-FPCR: Engravable Faceplate, Cream
TPS/TPMC-4L-FPEC: Engravable Faceplate, Ecru
TPS/TPMC-4L-FPMS: Engravable Faceplate, Mustard
TPS/TPMC-4L-FPSM: Engravable Faceplate, Smoke
TPS/TPMC-4L-FPST: Engravable Faceplate, Stone
TPS/TPMC-4L-FPW: Engravable Faceplate, White
TPS/TPMC-4L-FPWH: Engravable Faceplate, Wheat
BB-4L: Back Box
PMK-4L: Pre-Construction Mounting Kit
TMK-4L: Trim Ring for BB-4L and PMK-4L
MMK-4L: Mud Ring for BB-4L and PMK-4L
WMKT-4L: Post-Construction Wall Mount Kit w/Trim Ring
WMKM-4L: Post-Construction Mounting Kit w/Mud Ring
WMKB-4L: Wall Mount Clips, 10 Sets
CRESNET-NP: Cresnet® Control Cable, non-plenum
CRESNET-P: Cresnet® Control Cable, plenum
CRESNET-HP-NP: Cresnet® "High-Power" Control Cable, non-plenum

Notes:

This product may be purchased from an authorized Crestron dealer. To find a dealer, please contact the Crestron sales representative for your area. A list of sales representatives is available online at www.crestron.com/salesreps or by calling 800-237-2041.

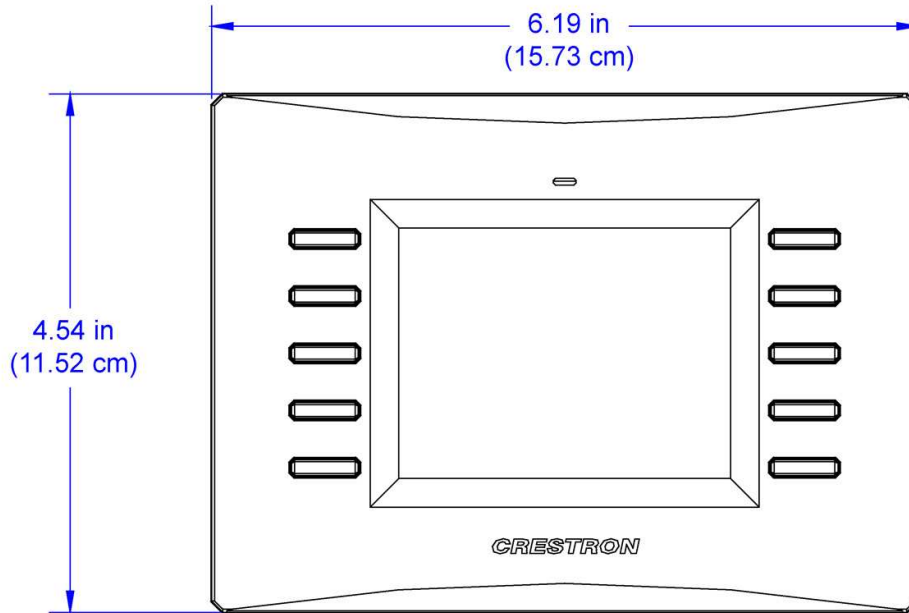
Specifications subject to change without notice. Crestron is not responsible for errors in typography or photography.

The specific patents that cover Crestron products are listed online at: patents.crestron.com.

Cresnet, Crestron, Isys, Synapse, and the Crestron logo are either trademarks or registered trademarks of Crestron Electronics, Inc. in the United States and/or other countries. Other trademarks and trade names may be used in this document to refer to either the entities claiming the marks and names or their products. Crestron disclaims any proprietary interest in the marks and names of others. ©2012 Crestron Electronics, Inc.

TPS-4L Isys® 3.6" Wall Mount Touch Screen

Front



Side and Back

