

FlipTop™ Power Center - International Version

- > Stylish flush-mount FlipTop™ housing
- > Easy pull-out universal cable management
- > Optional cable retractors
- > Dual International AC power outlets ^[3]
- > Black anodized or brushed aluminum finish

The FTI-PWR-D FlipTop™ Power Center by Crestron® provides an elegant connectivity solution in a stylish flush mount tabletop design. Popping open the “FlipTop” lid exposes the cable storage compartment where interface cables are kept at the ready for plugging in laptop computers, mobile devices, AV sources, and other equipment.

FlipTop Power Centers are ideal for use with AV distribution systems like Crestron [DigitalMedia™](#), allowing the signal transmitters and receivers to be installed out of sight beneath the tabletop, with the user interface cables organized neatly within the cable storage compartment.

FlipTop Housing

Handsomely finished in a choice of black anodized or brushed aluminum, the FTI-PWR-D lends a contemporary metallic accent to conference tables and podiums. It mounts flush in virtually any flat, horizontal surface up to 1-7/8 inch (48 mm) thick for a clean, low-profile appearance.

Cable Storage Compartment

The FTI-PWR-D provides easy pull-out storage for [Crestron Certified Interface Cables](#)^[1] and a wide variety of other AV, data, and communication cables. Eight grommets are provided in the bottom of the storage compartment to accommodate either premade or custom cables, allowing each cable to be pulled out smoothly as needed. When not in use, the user end of each cable stows neatly within the storage compartment while excess cable simply drops out-of-sight below the box.

Cable Retractor Option

For an even more refined cable management solution, the FTI-PWR-D accommodates up to four Crestron [CBLR2 Series Cable Retractors](#). Crestron cable retractors feature a patented mechanism that ensures smooth operation while eliminating hanging cable loops beneath the table.^[2]

Dual International AC Power Outlets

For complete connectivity, the FTI-PWR-D includes two AC power outlets within the FlipTop compartment. A choice of outlet types is available to accommodate virtually any country or region.^[3]



SPECIFICATIONS

Connectors - Front Panel

MAX 250V~50/60Hz 10A: (2) Grounded AC power outlets;
Available Outlet Types (specify at time of order):

- Type E, France, Crestron model PWR-FR-M;
- Type F, Europe (Schuko), Crestron model PWR-EU-M;
- Type G, UK, Crestron model PWR-UK-M;
- Type I, Australia/China, Crestron model PWR-AU-B;
- Type L, Italy, Crestron model PWR-IT-B;

Maximum Load: 10 Amps (total) @ 250 Volts AC, 50/60 Hz

Connectors - Bottom Panel

MAX 250V~50/60Hz 10A: (1) IEC 60320 C14 power inlet;
Passes through to front panel AC power outlets

Environmental

Temperature: 41° to 104°F (5° to 40°C)

Humidity: 10% to 90% RH (non-condensing)

FTI-PWR-D FlipTop™ Power Center - International Version

Enclosure

Chassis: Metal, black

Cover: Aluminum, black anodized or brushed aluminum finish

Mounting: Flush tabletop mount, 1-7/8 in (48 mm) maximum surface thickness, 6-1/4 in (158 mm) deep x 8-1/8 in (206 mm) wide cutout (template provided)

Dimensions

Height: 5.58 in (142 mm) with lid closed

Width: 8.50 in (216 mm)

Depth: 6.67 in (170 mm), 8.09 in (206 mm) with mounting brackets

Weight

5.5 lb (2.5 kg)

Notes:

1. Interface cables sold separately.
2. Adding the cable retractor option removes all eight of the standard grommets cable holes. Cable retractors and related accessories are sold separately. See the [CBLR2](#) spec sheet for more information.
3. The desired outlet type must be specified when ordering this product.

This product may be purchased from an authorized Crestron dealer. To find a dealer, please contact the Crestron sales representative for your area. A list of sales representatives is available online at www.crestron.com/salesreps or by calling 800-237-2041.

The specific patents that cover Crestron products are listed online at: patents.crestron.com.

Crestron, the Crestron logo, DigitalMedia, FlipTop, and FlipTops are either trademarks or registered trademarks of Crestron Electronics, Inc. in the United States and/or other countries. Other trademarks, registered trademarks, and trade names may be used in this document to refer to either the entities claiming the marks and names or their products. Crestron disclaims any proprietary interest in the marks and names of others. Crestron is not responsible for errors in typography or photography. Specifications are subject to change without notice.
©2014 Crestron Electronics, Inc.

MODELS & ACCESSORIES

Available Models

FTI-PWR-D-B: FlipTop™ Power Center - International Version, Black Anodized

FTI-PWR-D-BALUM: FlipTop™ Power Center - International Version, Brushed Aluminum [Special Order]

Available Accessories

PWR-AU-B: AC Power Outlet for International FlipTops™, Australia/China, Type I (Sold only as part of a complete FlipTop™)

PWR-EU-B: AC Power Outlet for International FlipTops™, Europe (Schuko), Type F (Sold only as part of a complete FlipTop™)

PWR-FR-B: AC Power Outlet for International FlipTops™, France, Type E (Sold only as part of a complete FlipTop™)

PWR-IT-B: AC Power Outlet for International FlipTops™, Italy, Type L (Sold only as part of a complete FlipTop™)

PWR-UK-B: AC Power Outlet for International FlipTops™, UK, Type G (Sold only as part of a complete FlipTop™)

CBLR2 Series: Cable Retractors

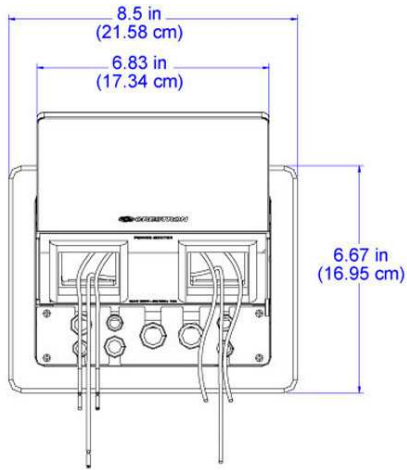
CBLRAI-BRKT-4-FT: Cable Retractor Mounting Bracket for International FlipTops™

CBLRA-INSERT-BLANK: Blank Spacer Insert for Cable Retractor Mounting Brackets

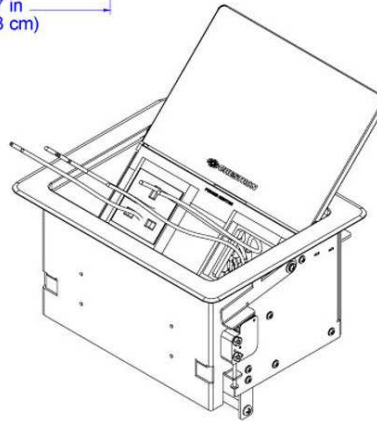
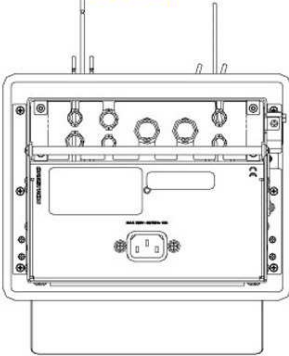
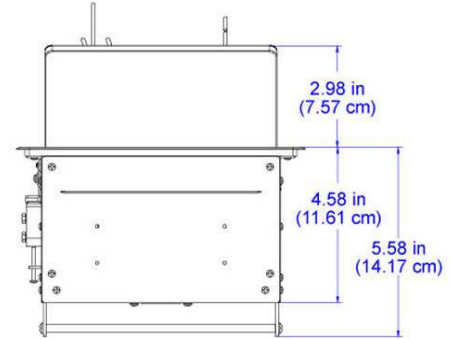
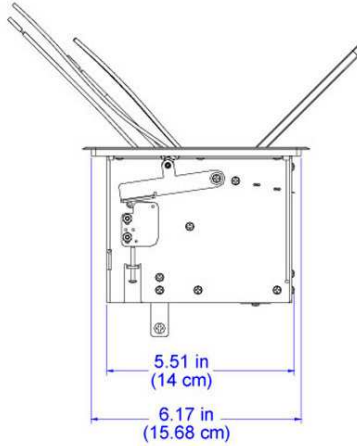
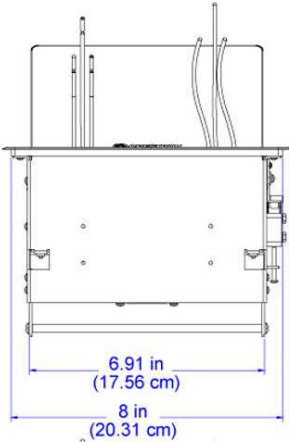
CBLRA-INSERT-2WIRE: 2-Wire Spacer Insert for Cable Retractor Mounting Brackets

CBL Series: Crestron® Certified Interface Cables

FTI-PWR-D FlipTop™ Power Center - International Version



With Cable Plate Installed



With Mounting Hardware Installed

