

FlipTop™ AC Power Outlet Modules

Crestron® FTA-PWR series AC Power Outlet Modules are designed for use with any 600 Series FlipTop™ to provide convenience receptacles within the FlipTop connection compartment. A selection of modules is available to support a range of different countries and regions.

The FTA-PWR-102 model provides two NEMA 5 type outlets rated for 10 Amps (total) at 125 Volts AC, 50/60 Hz. This module occupies two adjacent FlipTop connector plate spaces allowing up to two modules to be installed in a single FlipTop. The FTA-PWR-102 is UL® Listed, and features an attached 9 ft (2.7 m) grounded AC power cord, which exits the bottom of the module and provides for connection to a local AC power source.

Models FTA-PWR-211, -221, and -251 each provide a single “International” outlet rated for 10 Amps at 220-240 Volts AC, 50/60 Hz. Each of these modules occupies three contiguous FlipTop connector plate spaces, and features an IEC 60320 C14 type main power inlet on the bottom of the module for connection to a local AC power source. Refer to the chart below for the type of outlet and applicable countries for each model.

Model FTA-PWR-261 provides a single “universal” outlet, which accommodates several different types of plugs (refer to the chart below). It is rated for 10 Amps at 100-240 Volts AC, 50/60 Hz.

Models FTA-PWR-212 and -222 are dual outlet versions of the FTA-PWR-211 and -221 respectively. Each of these modules occupies three contiguous connector plate spaces plus one adjacent cable pass-through plate space. Two main power inlets are provided on the bottom of each module (one per outlet).

Available Models

FTA-PWR-102: FlipTop™ AC Power Outlet Module, Dual, US NEMA 5, Type B

FTA-PWR-211: FlipTop™ AC Power Outlet Module, Single, UK, Type G

FTA-PWR-212: FlipTop™ AC Power Outlet Module, Dual, UK, Type G

FTA-PWR-221: FlipTop™ AC Power Outlet Module, Single, European “Schuko”, Type F

FTA-PWR-222: FlipTop™ AC Power Outlet Module, Dual, European “Schuko”, Type F

FTA-PWR-251: FlipTop™ AC Power Outlet Module, Single, Australia/China, Type I

FTA-PWR-261: FlipTop™ AC Power Outlet Module, Single, Universal



FTA-PWR-102
US NEMA 5
Type B



FTA-PWR-211, UK, Type G



FTA-PWR-221, Euro, Type F



FTA-PWR-251, AU/CN, Type I



FTA-PWR-261, Universal

FTA-PWR FlipTop™ AC Power Outlet Modules

Model	Commerce Dept Plug Type	Ratings	Applicable Countries	Quantity of Outlets	FlipTop Plate Spaces
FTA-PWR-102 US NEMA 5	Type B	10A 125V AC 50/60Hz (total)	American Samoa, Bahamas, Barbados, Belize, Bermuda, British Virgin Islands, Canada, Cayman Islands, Columbia, Cuba, Ecuador, El Salvador, Guam, Guatemala, Guyana, Haiti, Honduras, Jamaica, Japan, Mariana Islands, Marshall Islands, Mexico, Micronesia, Midway Islands, Nicaragua, Palau, Panama, Puerto Rico, Taiwan, Trinidad & Tobago, Turks and Caicos Islands, United States, Venezuela, Virgin Islands, Wake Island	2	2 Connector Plate Spaces
FTA-PWR-211 UK	Type G	10A 220-240V AC 50/60Hz	Anguilla, Bahrain, Botswana, Burma (Myanmar), Cyprus, Dominica, Falkland Islands (Malvinas), Gambia, Ghana, Gibraltar, Hong Kong, Iraq, Ireland, Kenya, Kuwait, Liberia, Malawi, Malaysia, Malta, Mauritius, Nigeria, Northern Ireland, Oman, Qatar, St. Kitts-Nevis, St. Lucia, St. Vincent, Saudi Arabia, Seychelles, Sierra Leone, Singapore, Sudan, Tanzania, Uganda, United Arab Emirates, United Kingdom, Yemen, Zambia, Zimbabwe	1	3 Connector Plate Spaces
FTA-PWR-212 UK	Type G	10A 220-240V AC 50/60Hz (per outlet)		2	3 Connector Plate Spaces + 1 Cable Pass- Through Plate Space
FTA-PWR-221 European "Schuko"	Type F	10A 220-240V AC 50/60Hz	Austria, Azerbaijan, Belarus, Bosnia and Herzegovina, Brunei, Bulgaria, Burundi, Cape Verde, Chad, Croatia, Egypt, Eritrea, Finland, Georgia, Germany, Greece, Greenland, Guinea-Bissau, Hungary, Iceland, Jordan, Kazakhstan, Korea (South), Kyrgyzstan, Liechtenstein, Luxemburg, Macedonia, Monaco, Montserrat, Morocco, Mozambique, Netherlands, Netherlands Antilles, New Caledonia, Norway, Poland, Portugal, Reunion, Romania, Russia, San Marino, Senegal, Serbia and Montenegro, Slovenia, Spain, Suriname, Sweden, Syria, Tunisia, Turkey, Ukraine, Vietnam	1	3 Connector Plate Spaces
FTA-PWR-222 European "Schuko"	Type F	10A 220-240V AC 50/60Hz (per outlet)		2	3 Connector Plate Spaces + 1 Cable Pass- Through Plate Space
FTA-PWR-251 Australia/ China	Type I	10A 220-240V AC 50/60Hz	Argentina, Australia, China, Fiji, New Zealand, Papua New Guinea	1	3 Connector Plate Spaces
FTA-PWR-261 Universal	Combines Types B, F, G, & I	10A 100-240V AC 50/60Hz	American Samoa, Anguilla, Antigua & Barbuda, Argentina, Australia, Austria, Azerbaijan, Bahamas, Bahrain, Barbados, Belarus, Belize, Bermuda, Bosnia and Herzegovina, Botswana, British Virgin Islands, Brunei, Bulgaria, Burma (Myanmar), Burundi, Canada, Cape Verde, Cayman Islands, Chad, China, Columbia, Croatia, Cuba, Cyprus, Dominica, Ecuador, Egypt, El Salvador, Eritrea, Falkland Islands (Malvinas), Fiji, Finland, Gambia, Georgia, Germany, Ghana, Gibraltar, Greece, Greenland, Guam, Guatemala, Guinea-Bissau, Guyana, Haiti, Honduras, Hong Kong, Hungary, Iceland, Iraq, Ireland, Jamaica, Japan, Jordan, Kazakhstan, Kenya, Korea (South), Kuwait, Kyrgyzstan, Liberia, Liechtenstein, Luxemburg, Macedonia, Malawi, Malaysia, Malta, Mariana Islands, Marshall Islands, Mauritius, Mexico, Micronesia, Midway Islands, Monaco, Montserrat, Morocco, Mozambique, Netherlands, Netherlands Antilles, New Caledonia, New Zealand, Nicaragua, Nigeria, Northern Ireland, Norway, Oman, Palau, Panama, Papua New Guinea, Poland, Portugal, Puerto Rico, Qatar, Reunion, Romania, Russia, St. Kitts-Nevis, St. Lucia, St. Vincent, Samoa, San Marino, Saudi Arabia, Senegal, Serbia and Montenegro, Seychelles, Sierra Leone, Singapore, Slovenia, Spain, Sudan, Suriname, Sweden, Syria, Taiwan, Tanzania, Trinidad & Tobago, Tunisia, Turkey, Turks and Caicos Islands, Uganda, Ukraine, United Arab Emirates, United Kingdom, United States, Venezuela, Vietnam, Virgin Islands, Wake Island, Yemen, Zambia, Zimbabwe	1	3 Connector Plate Spaces

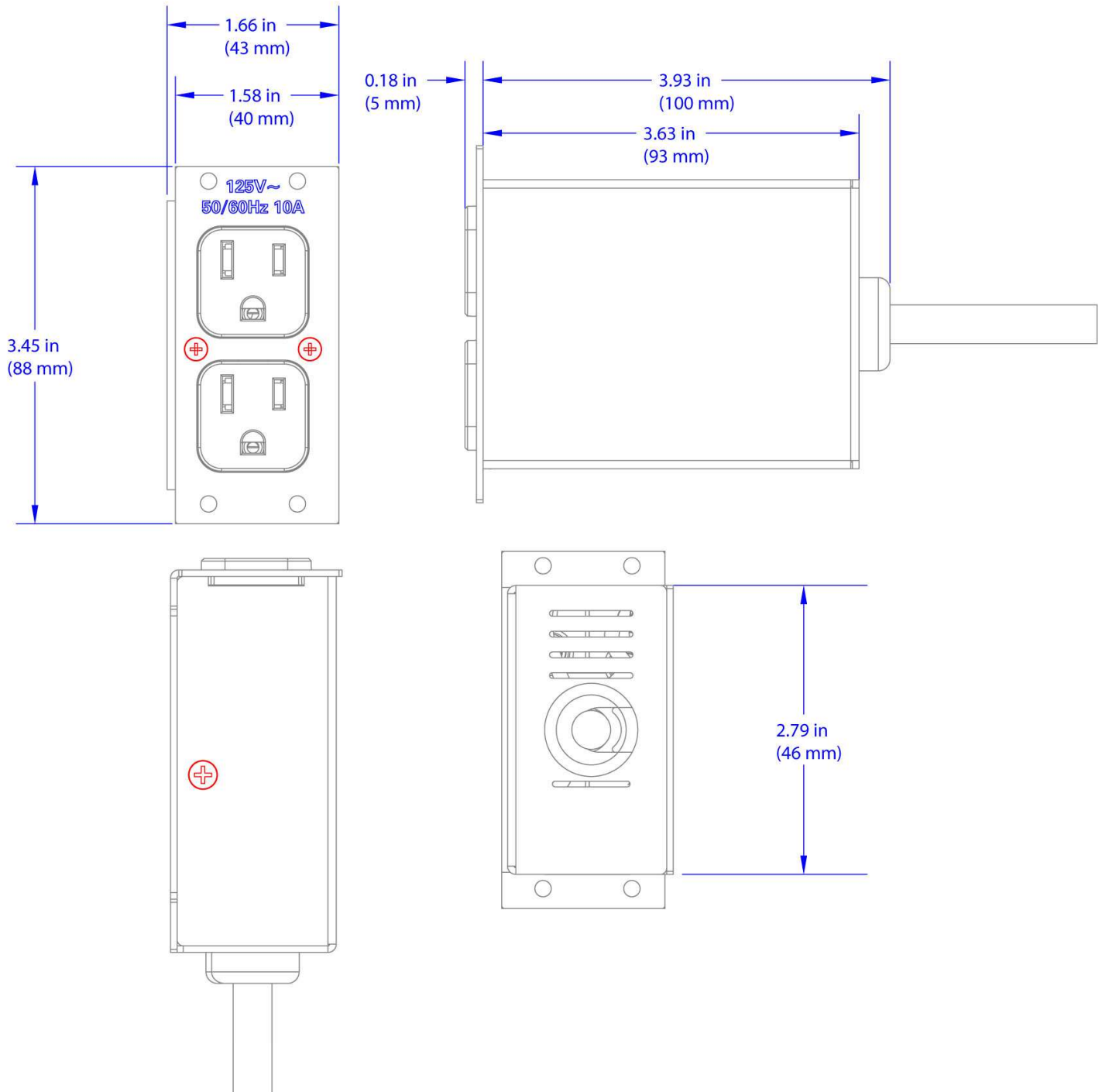
FTA-PWR FlipTop™ AC Power Outlet Modules

Notes:

This product may be purchased from an authorized Crestron dealer. To find a dealer, please contact the Crestron sales representative for your area. A list of sales representatives is available online at www.crestron.com/salesreps or by calling 800-237-2041.

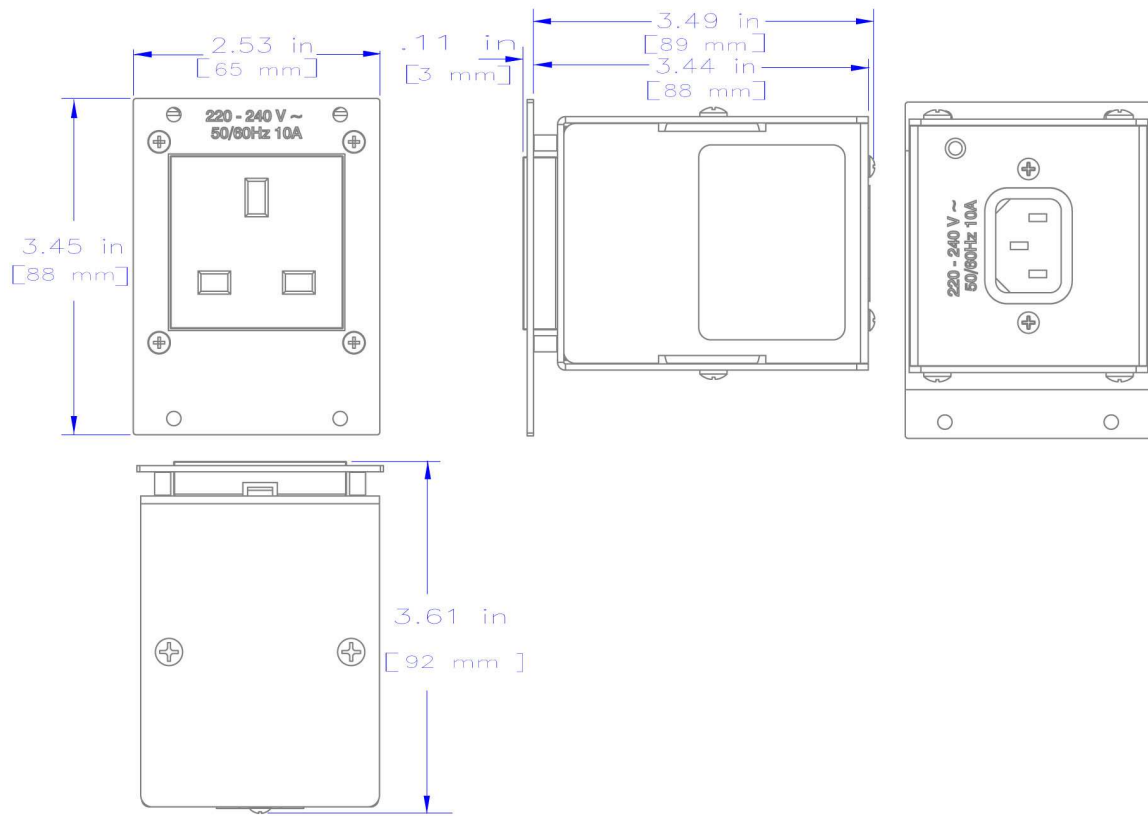
The specific patents that cover Crestron products are listed online at: patents.crestron.com.

Crestron, the Crestron logo, and FlipTop are either trademarks or registered trademarks of Crestron Electronics, Inc. in the United States and/or other countries. UL is either a trademark or registered trademark of UL LLC in the United States and/or other countries. Other trademarks, registered trademarks, and trade names may be used in this document to refer to either the entities claiming the marks and names or their products. Crestron disclaims any proprietary interest in the marks and names of others. Crestron is not responsible for errors in typography or photography. Specifications are subject to change without notice.
©2015 Crestron Electronics, Inc.

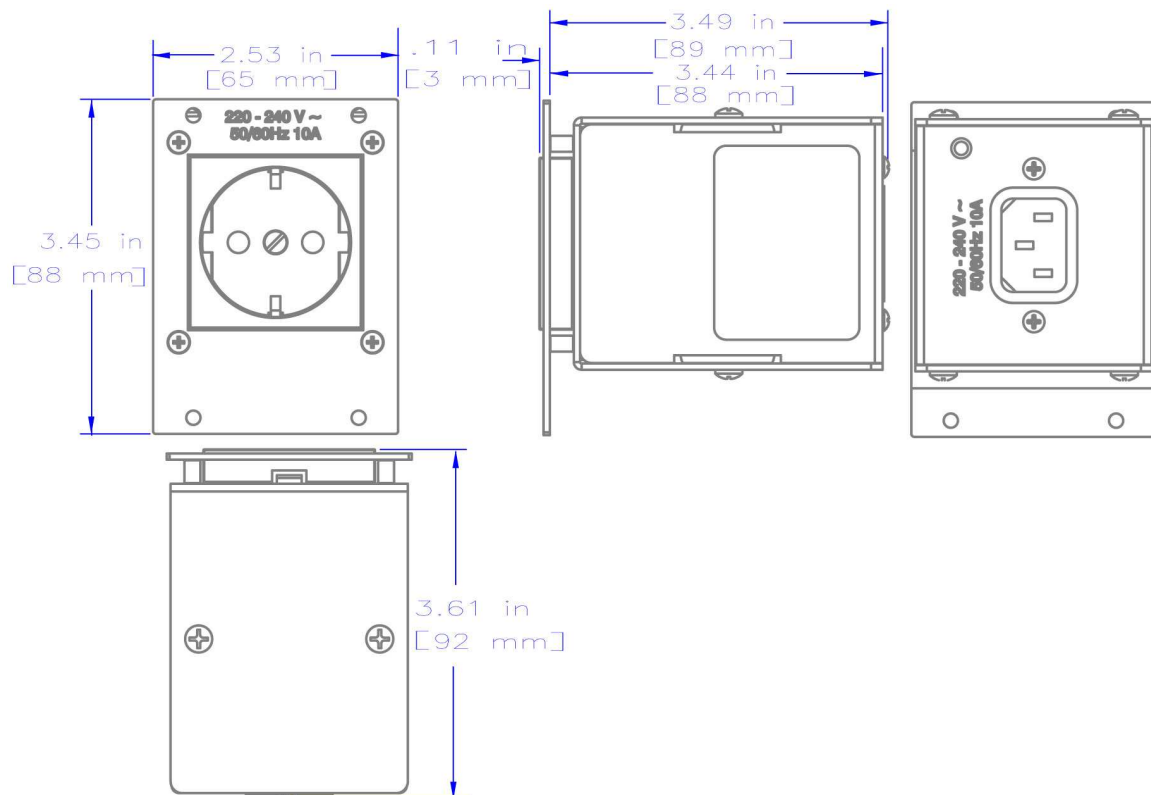


FTA-PWR-102

FTA-PWR FlipTop™ AC Power Outlet Modules

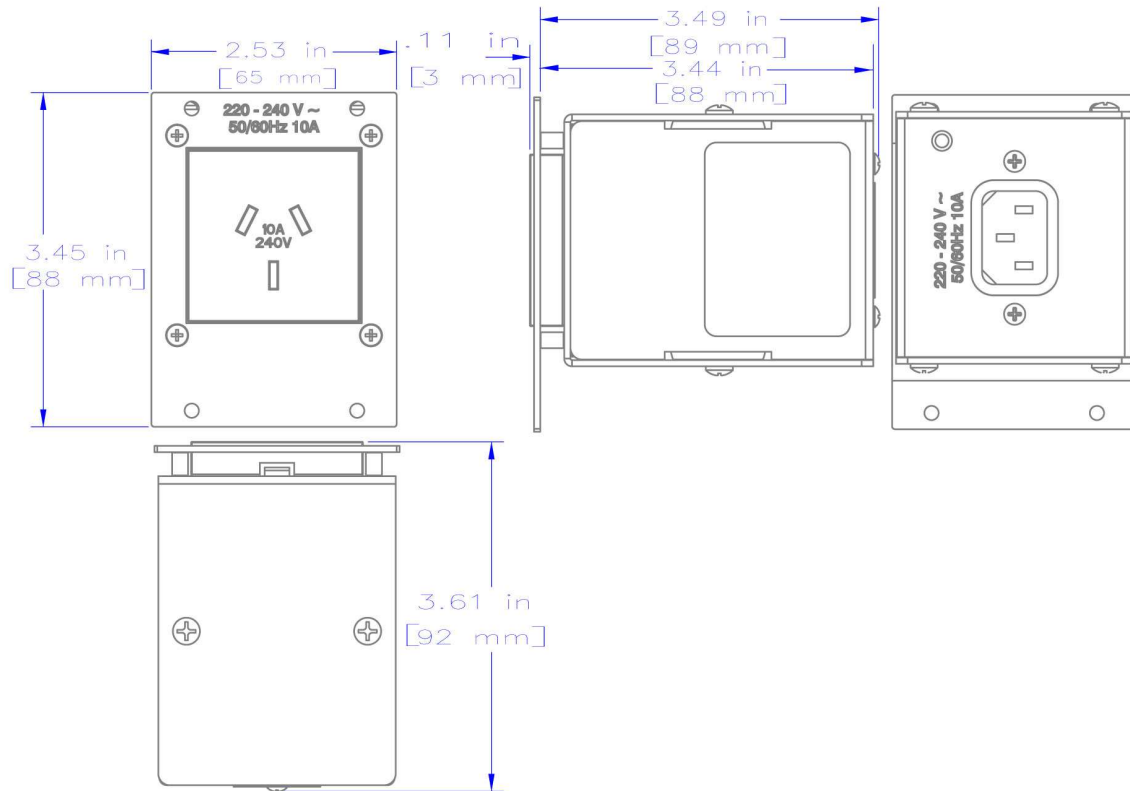


FTA-PWR-211

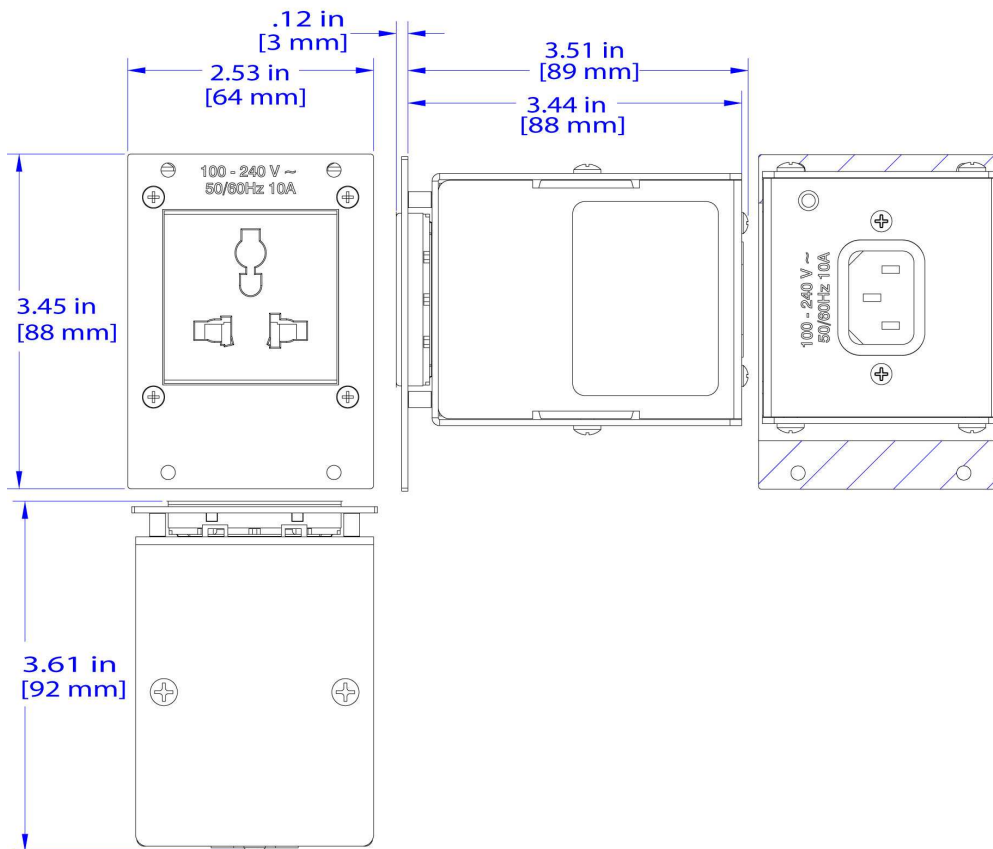


FTA-PWR-221

FTA-PWR FlipTop™ AC Power Outlet Modules



FTA-PWR-251



FTA-PWR-261