

CSS-DESIGNER-MOTOR

Designer Cassette Motorized Shades

Self-contained, decorative shade suitable for inside and outside mounts

Choice of fabric-wrapped and non-fabric wrapped cassettes

Stylish end caps add clean edges to cassette in outside mounts

NOTE: "CSS-DESIGNER-MOTOR" is sold as part of a custom-configured product and orders are placed via the Crestron® Design Tool for Crestron Shading Solutions. This specifications page is for informational purposes and shows the available parts of a Designer Cassette Motorized Shade. To configure shades or order shading parts and accessories, please use the Crestron Design Tool for Crestron Shading Solutions or call 1-855-53-S-H-A-D-E (537-4233) for support.

A Designer Cassette motorized shade from Crestron® is a self-contained, decorative mounting system that is shipped pre-assembled with the roller shade already inside. Simply attach the cassette's mounting clips to the wall or ceiling and snap the cassette into place.

The Designer Cassette motorized shade can be mounted on either the inside or outside of the window. If decorative end caps are desired for an outside mount application, the end caps can be attached to the cassette on site. A Designer Cassette shade cannot be coupled. The metal cassette is painted in the following colors offered by Crestron: white, ivory, clear anodized, black or bronze.

A QMT™ motor fits inside the roller shade tubing pre-installed in the cassette, quietly and precisely controlling the movement of the shade. Each QMT motor features either Cresnet® or infiNET EX® technology for communication, making it possible to integrate into a Crestron control system.

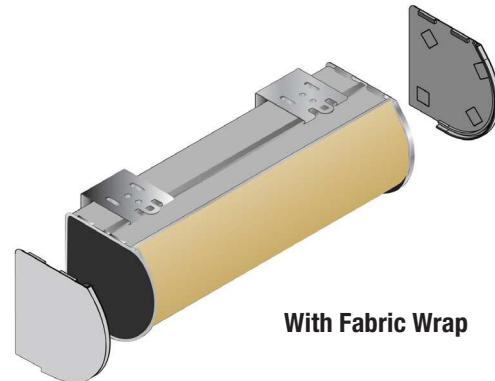
Fabric-Wrapped Cassette

A fabric-wrapped cassette is a stylish, coordinated design feature which helps a surface mounted shade blend in with the room's environment. The same fabric as the shade can be requested for the cassette. The cassette is also available without a fabric wrap, with the painted finish shown instead.

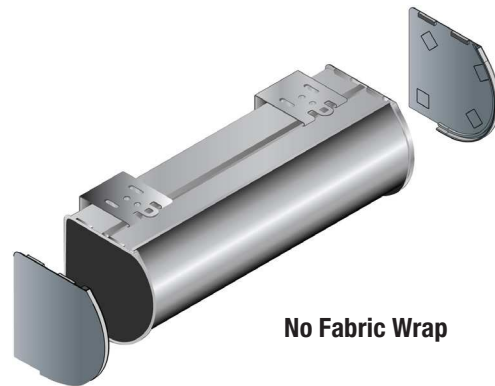
Mounting Clips

Designer Cassette mounting clips are suitable for both inside and outside mount applications and can be mounted to the ceiling or the wall. For an inside mount installation, leave approximately 1/8 of an inch (3 mm) space behind the mounting clips. This space allows the clips to flex during the

DESIGNER CASSETTE MOTORIZED SHADE

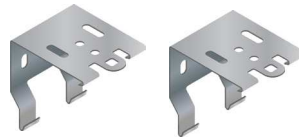


With Fabric Wrap

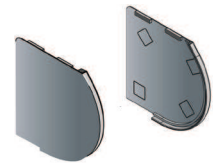


No Fabric Wrap

MOUNTING HARDWARE & ACCESSORIES



Designer Mounting Clips



Designer End Caps

SPECIFICATIONS

| ITEM | HEIGHT | WIDTH | LENGTH | FINISH |
|---------------------------------|------------------|------------------|---|--|
| Designer Cassette Mounting Clip | 2 3/8" (61 mm) | 2 9/16" (66 mm) | 2" (51 mm) | Metal ; White, Ivory, Clear Anodized, Black, Bronze |
| Designer Cassette End Caps | 4 1/16" (103 mm) | 4 5/16" (110 mm) | 1/8" (3 mm) exposed 1/4" (7 mm) including tabs | Plastic; White, Ivory, Clear Anodized, Black, Bronze |

NOTE: Actual maximum shade size is dependent on fabric chosen.

CSS-DESIGNER-MOTOR Designer Cassette Motorized Shades

installation and removal of the roller shade assembly.

End Caps

Optional end caps are shipped with each Designer Cassette and provide a finished look to the system during outside mounts. The end caps are mounted with superior double sided tape, so it is important to make sure they are aligned before adhering them in place, as the bond is strong and are not movable after application.

Wire Exit Locations

Because the Designer Cassette series is completely enclosed, wire locations must be specified. The wire locations are on the same side as the motor (drive side), as specified in CDT. The wire may exit the cassette from the back, side and top on the left or right side.

AVAILABLE MODELS

CSA-BKT-MNT-CLIP-CASSETTE: Designer Cassette Mounting Clips, 2

Notes:

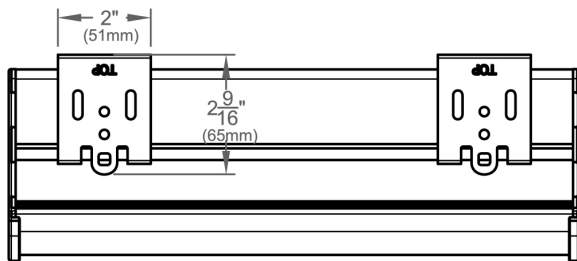
1. The number of mounting clips required to hold the Designer Cassette shade in place depends on the shade width. Smaller shades can require just two, while larger shades may require up to six. The amount of mounting clips provided is handled automatically when a Designer Cassette Manual Shade is ordered through the Crestron Design Tool for Crestron Shading Solutions.

The specific patents that cover Crestron products are listed online at: patents.crestron.com.

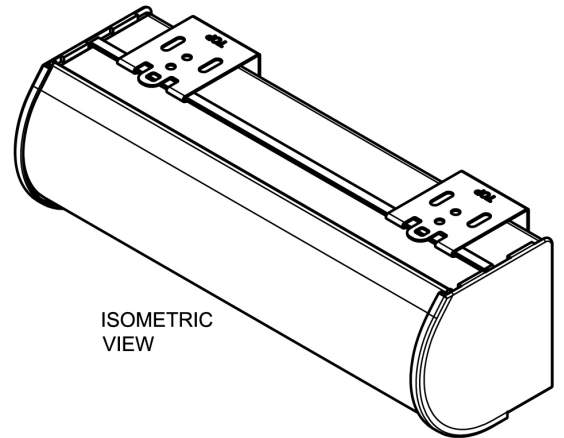
Crestron, the Crestron logo, Cresnet, infiNET EX, and Quiet Motor Technology (QMT) are either trademarks or registered trademarks of Crestron Electronics, Inc. in the United States and/or other countries. Other trademarks, registered trademarks, and trade names may be used in this document to refer to either the entities claiming the marks and names or their products. Crestron disclaims proprietary interest in the marks and names of others. Crestron is not responsible for errors in typography or photography. Specifications are subject to change without notice. ©2014 Crestron Electronics, Inc.

CAD DRAWINGS

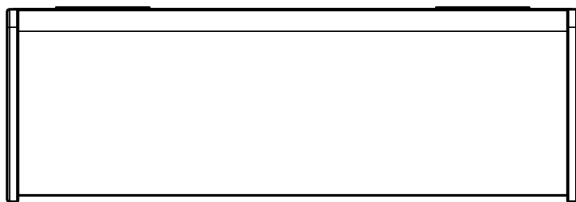
Designer Cassette with Mounting Clips and Optional End Caps Installed



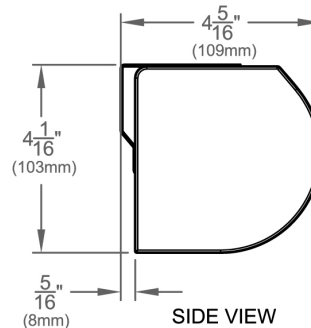
TOP VIEW



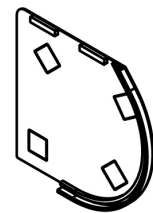
ISOMETRIC VIEW



FRONT VIEW



SIDE VIEW



OPTIONAL END CAP

CSS-DESIGNER-MOTOR Designer Cassette Motorized Shades

MOUNTING CONDITIONS

Side View of Wall Mount with Optional End Caps Installed

