

CSS-DECOR-MOTOR

Décor Motorized Shades

Motorized shade series with a contemporary look

Ceiling and wall mountable, stylish end caps come in a variety of colors

Optional coupler links multiple shades on one QMT™ motor

NOTE: “CSS-DECOR-MOTOR” is sold as part of a custom-configured product and orders are placed via the Crestron® Design Tool for Crestron Shading Solutions. This specifications page is for informational purposes and shows the available parts of a Décor Motorized Shade. To configure shades or order shading parts and accessories, please use the Crestron Design Tool for Crestron Shading Solutions or call 1-855-53-S-H-A-D-E (537-4233) for support.

Décor Motorized Shades from Crestron® are used to create a contemporary look. The shade assembly is exposed between the mounting brackets. Sleek, modern end caps add a clean finish to the shade assembly and come in a variety of colors. Décor motorized shades can be wall or ceiling mounted, but are not recommended for an inside or pocket mount.

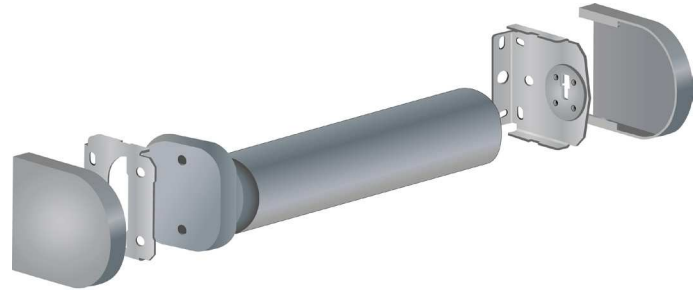
A QMT™ motor fits inside the roller shade tubing, quietly and precisely controlling the movement of the shade. Each QMT motor features either Cresnet® or infiNET EX® technology for communication, making it possible to integrate into a Crestron control system.

Décor Brackets

A pair of Décor Brackets consists of a motor bracket and an idler bracket. Brackets are selected based on which QMT motor is being used. For smaller shades, mini mount brackets can support bracket-to-bracket widths between 18 1/2” and 22 1/2” on a QMT30 motor. (CSA-BRKT-DECOR-QMT30-ASSY-SHORT)

Décor brackets can be mounted on either side to accommodate the location of the motor. The motor attaches to the Décor Brackets using screws from the outside. Décor mounting brackets are suitable for both outside and coupled outside mount applications. For ceiling mounting, the brackets are rotated 90 degrees, leaving a smaller dimensional projection than a wall mount. Décor brackets should not be used inside a pocket because the mounting hardware attaches from the side and may not be accessible in a tight pocket application.

DECOR MOTORIZED SHADE

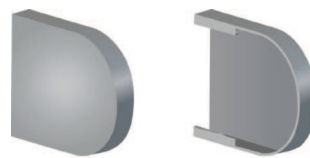


MOUNTING HARDWARE & ACCESSORIES



Décor QMT Brackets

Décor QMT30 Short Motor Bracket (Mini Mount) with End Cap



Décor End Caps



Décor Coupler

SPECIFICATIONS

ITEM	HEIGHT	WIDTH	LENGTH	FINISH
Décor QMT50 Motor Bracket	Motor Bracket, 3" (77 mm) Idler Bracket, 3" (77 mm)	Motor Bracket, 2 13/16" (72 mm) Idler Bracket, 3" (77 mm)	Motor Bracket, 11/16" (18 mm) Idler Bracket, 11/16" (18 mm)	Metal
Décor QMT30 Motor Bracket	Motor Bracket, 3" (77 mm) Idler Bracket, 3" (77 mm)	Motor Bracket, 2 13/16" (72 mm) Idler Bracket, 3" (77 mm)	Motor Bracket, 11/16" (18 mm) Idler Bracket, 11/16" (18 mm)	Metal
Décor Bracket End Caps	3 1/8" (80 mm)	3 13/16" (97 mm)	9/16" (15 mm)	(2) Plastic; White, Chrome, Brushed Nickel, Antique Bronze
Décor QMT30 Short Motor Bracket (Mini Mount)	2 1/4" (56 mm)	3" (77 mm)	3/4" (18 mm)	Metal
Mini Mount End Caps	3 1/8" (79 mm)	3 13/16" (97 mm)	1" (25 mm)	(2) Plastic; White, Chrome, Brushed Nickel, Antique Bronze
Décor Coupler	3 1/4" (83 mm)	2 1/2" (64 mm)	1/2" (13 mm)	Metal

NOTE: Actual maximum shade size is dependent on fabric chosen.

CSS-DECOR-MOTOR Décor Motorized Shades

End caps slide onto the mounting brackets. They are available in the following finishes: white, chrome, brushed nickel, and antique bronze.

Décor Coupler

Décor couplers can link up to 6 shades on one QMT motor. Couplers are placed between shade bands and do not have decorative end caps.

AVAILABLE MODELS

CSA-BRKT-DÉCOR-QMT50: Décor QMT50 Motor Bracket

CSA-BRKT-DECOR-QMT30: Décor QMT30 Motor Bracket

CSA-BRKT-DÉCOR-QMT30-ASSY-SHORT: Décor QMT30 Short Motor Bracket (Wall/Ceiling Mount Mini QMT30)

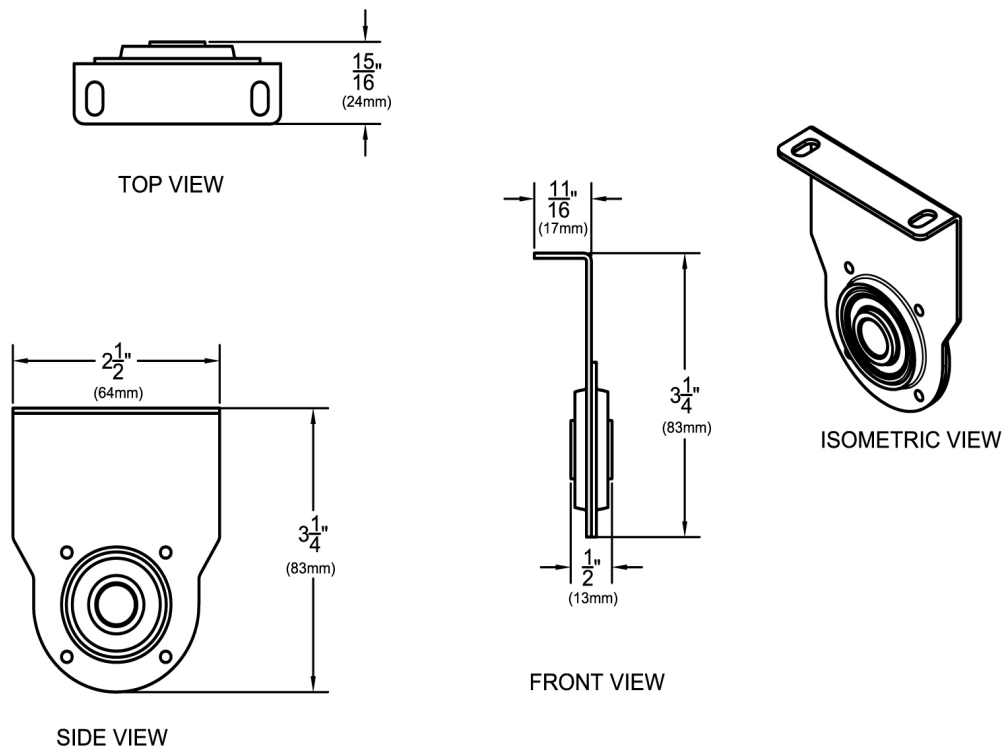
CSA-BRKT-DECOR-EC: Décor Bracket End Caps, 2

Notes: The specific patents that cover Crestron products are listed online at: patents.crestron.com.

Crestron, the Crestron logo, Cresnet, infiNET EX, and Quiet Motor Technology (QMT) are either trademarks or registered trademarks of Crestron Electronics, Inc. in the United States and/or other countries. Other trademarks, registered trademarks, and trade names may be used in this document to refer to either the entities claiming the marks and names or their products. Crestron disclaims proprietary interest in the marks and names of others. Crestron is not responsible for errors in typography or photography. Specifications are subject to change without notice. ©2014 Crestron Electronics, Inc.

CAD DRAWINGS

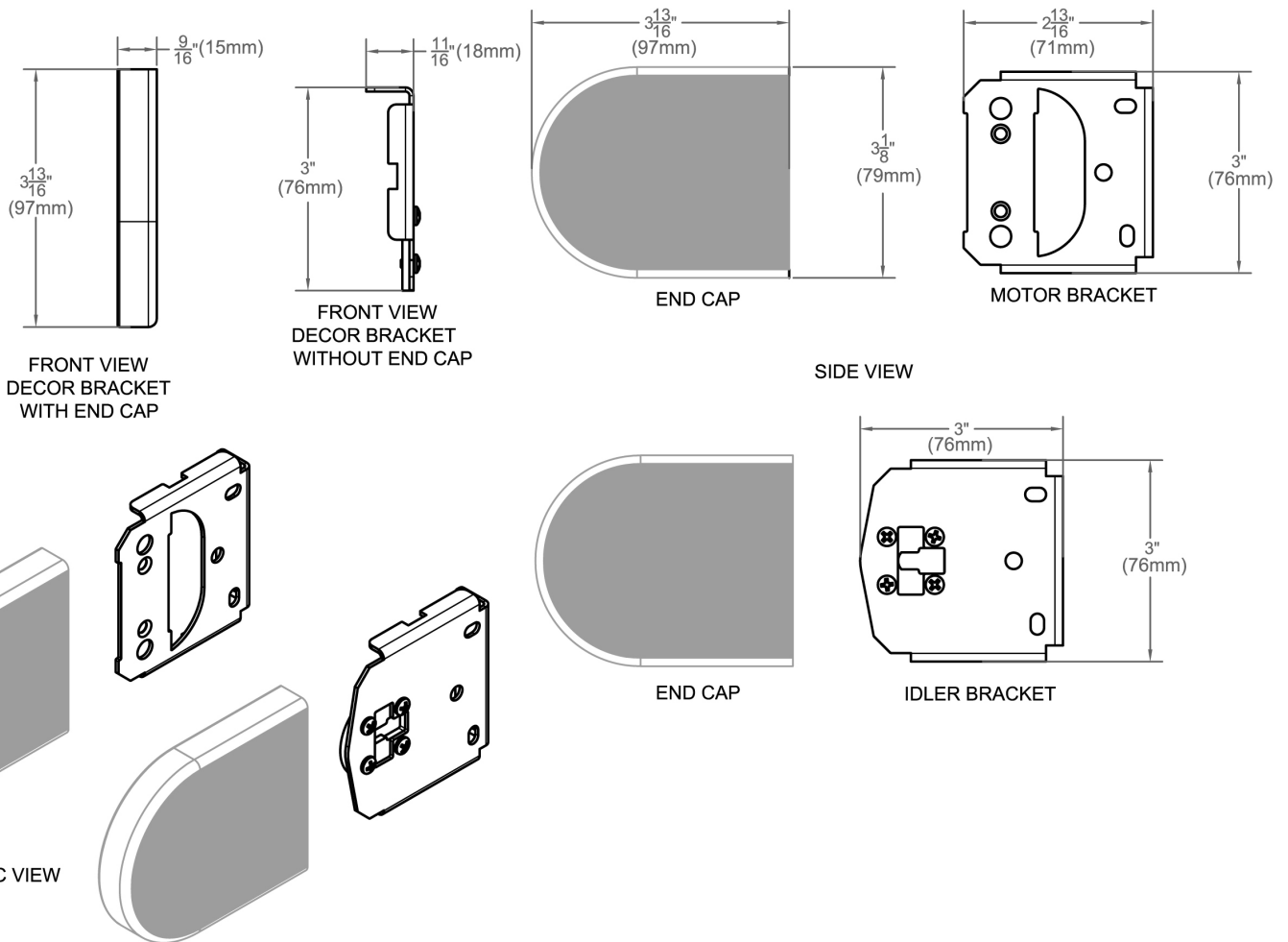
Décor Coupler



CSS-DECOR-MOTOR Décor Motorized Shades

CAD DRAWINGS

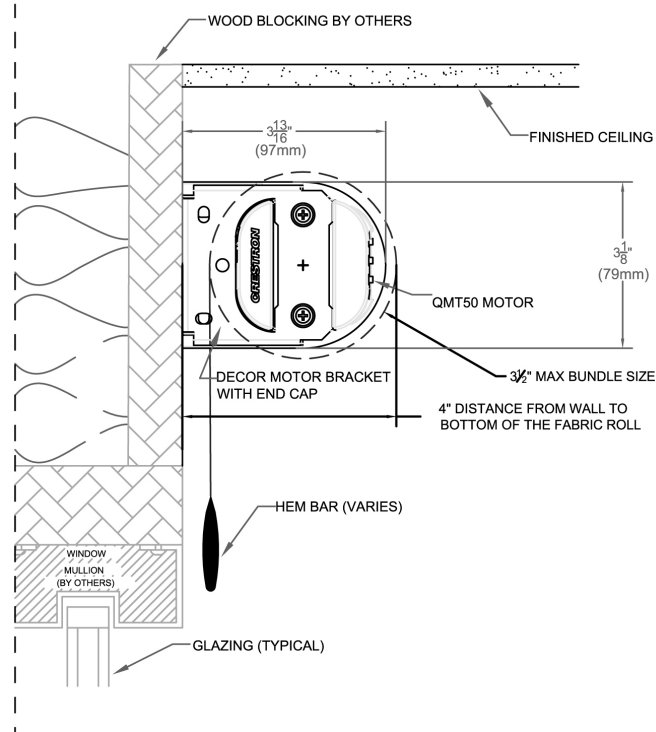
Décor Motor and Idler Bracket Assembly



CSS-DECOR-MOTOR Décor Motorized Shades

MOUNTING CONDITIONS

Décor Bracket with QMT50 Motor, Wall Mount



Décor Bracket with QMT30 Motor, Ceiling Mount

