

# CSS-DECOR-MANUAL

## Crestron® Décor Manual Shades

Chain-operated roller shade with a contemporary look

Ceiling and wall mountable

Stylish end caps come in a variety of colors

**NOTE: “CSS-DECOR-MANUAL” is sold as part of a custom-configured product and orders are placed via the Crestron® Design Tool for Crestron Shading Solutions. This specifications page is for informational purposes and shows the available parts of a Décor Manual Shade. To configure shades or order shading parts and accessories, please use the Crestron Design Tool for Crestron Shading Solutions or call 1-855-53-S-H-A-D-E (537-4233) for support.**

Décor Manual Shades from Crestron® are chain-operated and have a contemporary look, featuring a roller shade assembly that is exposed between the mounting brackets. Sleek, modern end caps add a clean finish to the shade assembly and come in a variety of colors. Décor Manual Shades can be mounted to walls or ceilings, but are not recommended for inside or pocket mounts.

### Mounting Brackets

The roller shade assembly is held in place by brackets that are suitable for ceiling and wall mount applications. For ceiling mounting, the brackets are rotated 90 degrees, leaving a smaller dimensional projection than in a wall mount. The brackets should not be used inside a pocket because the mounting hardware attaches from the side and may not be accessible in a tight pocket application.

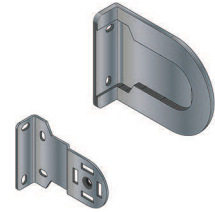
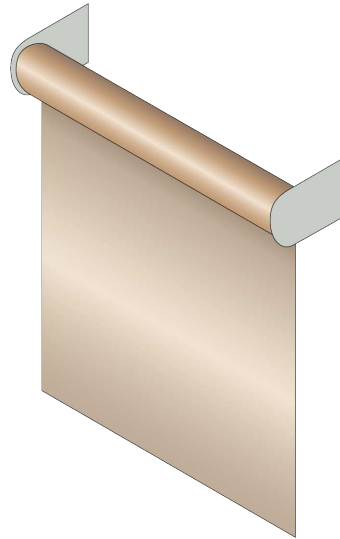
### Chain & Chain Tension Device

The chain that operates the shade comes standard in a stainless steel finish. A chain tension device (or “chain guide”) ensures the chain is kept in place and does not interfere with shade operation. It secures to the wall, window frame, or floor to remove slack from the chain. Setting upper and lower limits of the shade is done with stop balls, which are installed onto the chain.

### Crestron Shading Solutions Safety Information

Crestron’s manual shades are sold with a chain tension device connected to the shade’s looped operating chain. If the chain tension device is not attached to the wall or floor, the shade will not function properly.

## DECOR MANUAL SHADE & ACCESSORIES



Décor QMT30 Short Motor Bracket (Mini Mount) with End Cap

A chain tension device reduces the risk of a young child becoming entangled in the operating chain. This device should be used with all looped operating chains on window shades in any environment in which children are or may be present.

Crestron is committed to providing customers with products of the highest quality and workmanship. Safety is important to us, and we are proud to say that safety issues are rare. We will continue to work with organizations such as the Window Covering Safety Council to identify areas where products can benefit from enhanced safety features.

The Window Covering Safety Council (WCSC) and the U.S. Consumer Product Safety Commission (CPSC) are recommending that only cordless window coverings or those with inaccessible cords be used in homes with young children.

Important Safety Guidelines can be found at [www.windowcoverings.org](http://www.windowcoverings.org)

## SPECIFICATIONS

ITEM	HEIGHT	WIDTH	LENGTH	FINISH
Décor QMT30 Short Motor Bracket (Mini Mount)	2 1/4" (56 mm)	3" (77 mm)	3/4" (18 mm)	Metal
Décor Bracket End Cap, 2-1/8" (Manual or QMT30 Short Version)	3 1/8" (79 mm)	3 13/16" (97 mm)	1" (25 mm)	Plastic; White, Chrome, Brushed Nickel, Antique Bronze

NOTE: Actual maximum shade size is dependent on fabric chosen.

## ⚠ WARNING



The cords on this product present a potential strangulation hazard.



For child safety, consider cordless alternatives or products with inaccessible cords.

## ⚠ ADVERTENCIA



Los cordones de este producto representan un peligro potencial de estrangulamiento.



Para la seguridad de los niños, utilice alternativas sin cordón o productos cuyos cordones sean inaccesibles.

## ⚠ MISE EN GARDE



Les câbles de ce produit représentent un danger potentiel de strangulation.



Pour la sécurité des enfants, pensez au sans fil, ou procurez-vous des produits dont les câbles ne sont pas accessibles.

## AVAILABLE MODELS

CSA-BRKT-DECOR-QMT30-ASSY-SHORT: Décor QMT30 Short Motor Bracket (Wall/Ceiling Mount Mini QMT30)

CSA-BRKT-DECOR-CLUTCH-EC: Decor Bracket End Cap, 2-1/8" (Manual or QMT30 Short Version)

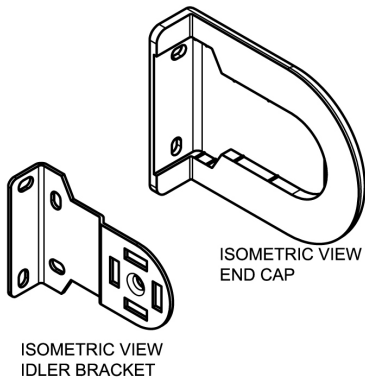
Notes: The specific patents that cover Crestron products are listed online at: [patents.crestron.com](http://patents.crestron.com).

Crestron and the Crestron logo are either trademarks or registered trademarks of Crestron Electronics, Inc. in the United States and/or other countries. Other trademarks, registered trademarks, and trade names may be used in this document to refer to either the entities claiming the marks and names or their products. Crestron disclaims proprietary interest in the marks and names of others. Crestron is not responsible for errors in typography or photography. Specifications are subject to change without notice. ©2014 Crestron Electronics, Inc.

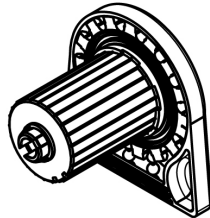
# CSS-DECOR-MANUAL Crestron® Décor Manual Shades

## CAD DRAWINGS

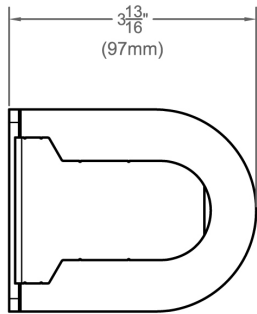
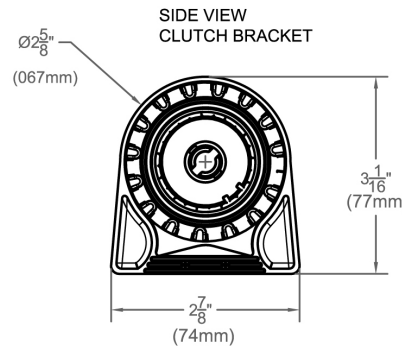
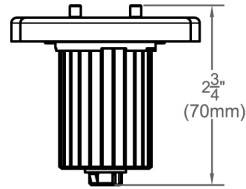
### Clutch Bracket Assembly



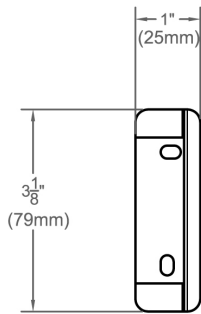
ISOMETRIC VIEW  
CLUTCH BRACKET



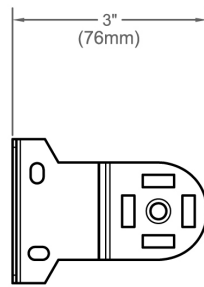
TOP VIEW  
CLUTCH BRACKET



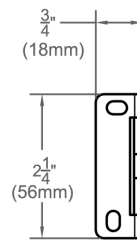
SIDE VIEW  
END CAP



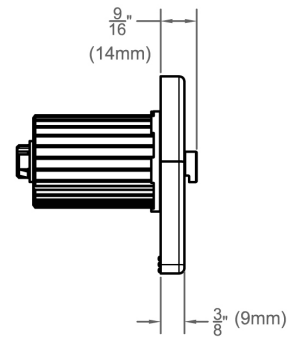
FRONT VIEW  
END CAP



SIDE VIEW  
IDLER



FRONT VIEW  
IDLER

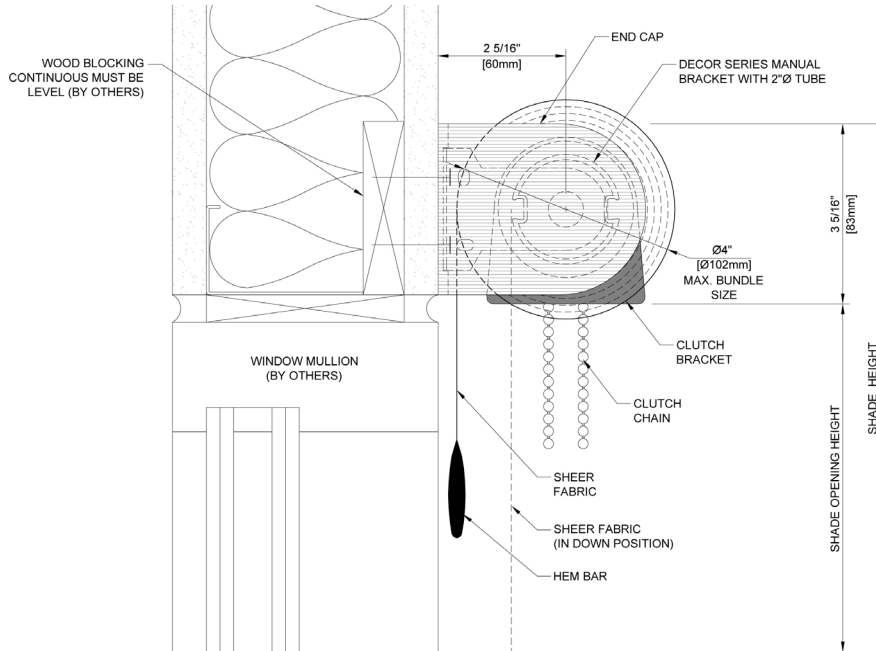


FRONT VIEW  
CLUTCH BRACKET

# CSS-DECOR-MANUAL Crestron® Décor Manual Shades

## MOUNTING CONDITIONS

### Wall Mount



### Ceiling Mount

