

# CSS-ARCH-MANUAL-SINGLE

## Architectural Manual Shades, Single Roll

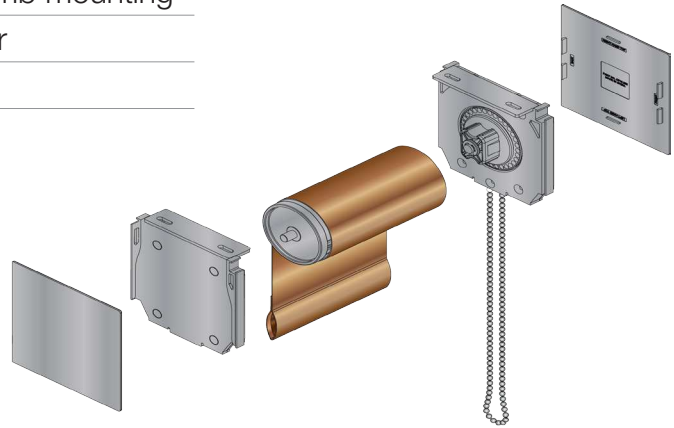
Versatile chain-operated shade for ceiling, wall, or jamb mounting

Curved or square fascia with optional top back cover

Decorative end caps come in a variety of finishes

**NOTE: "CSS-ARCH-MANUAL-SINGLE" is sold as part of a custom-configured product and orders are placed via the Crestron® Design Tool for Crestron Shading Solutions. This specifications page is for informational purposes and shows the available parts of an Architectural Manual Shade. To configure shades or order shading parts and accessories, please use the Crestron Design Tool for Crestron Shading Solutions or call 1-855-53-S-H-A-D-E (537-4233) for support.**

An Architectural Manual Shade from Crestron® is designed for use in situations where concealing the roller shade is desirable. The roller shade is chain-operated for easy movement and offers optional decorative extrusions that complement a room's decor. An Architectural Manual Shade is capable of ceiling, wall, and jamb mounting.



### MOUNTING HARDWARE & ACCESSORIES

#### Brackets

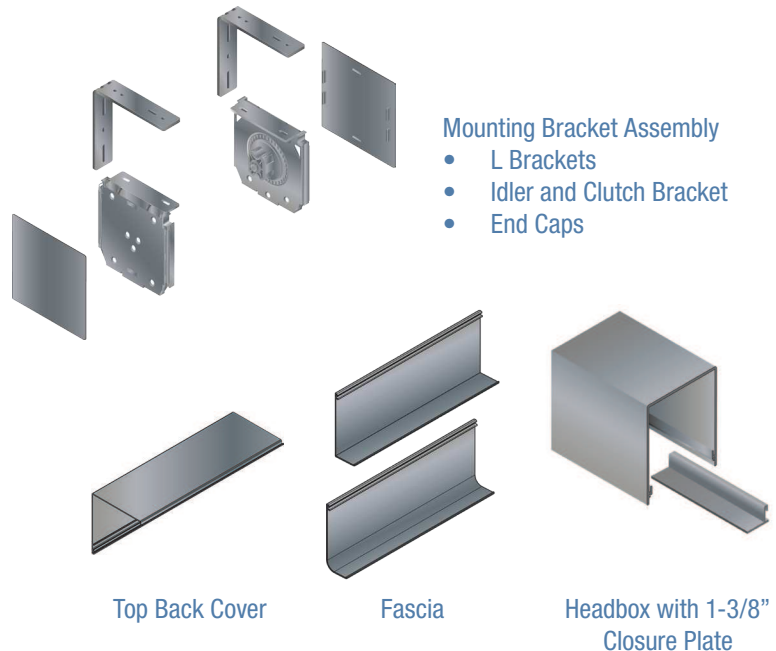
The shade is assembled using the supplied mounting brackets. The Architectural Manual Wall Brackets (or "L" brackets) are secured to an appropriate mounting surface, a ceiling or wall, for example, by provided screws. The clutch and idler brackets attach to the L brackets and are responsible for holding the roller shade assembly in place.

#### Fascia & Top Back Cover

Architectural fascia can be square or curved and snaps into place onto the clutch and idler mounting brackets. Fascia both camouflages the roller shade and allows access for adjustment and maintenance. A top back cover is available with the fascia as part of a two-piece assembly and is suitable for surface mounting to a header, jamb, or wall. End caps are curved or square to match the fascia design.

#### Chain & Chain Tension Device

The chain that operates the shade comes standard in a stainless steel finish. A chain tension device (or "chain guide") ensures the chain is kept in place and does not interfere with



### SPECIFICATIONS

ITEM	HEIGHT	WIDTH	LENGTH	FINISH
Clutch Bracket	4 5/8" (118 mm)	4 1/2" (114 mm)	1 3/16" (30 mm)	Metal; Black, Cream, Grey, White
Idler Bracket	4 5/8" (118 mm)	4 1/2" (114 mm)	1 3/16" (30 mm)	Metal; Black, Cream, Grey, White
L Brackets, 2	4 5/8" (118 mm)	4 1/2" (114 mm)	1/2" (13 mm)	Metal; Black, White, Zinc
Square Fascia	4 1/2" (114 mm)	1 5/8" (42 mm)	Varies, based on shade	Metal; White, Ivory, Clear Anodized, Black, Bronze
Curved Fascia	4 1/2" (114 mm)	1 5/8" (42 mm)	Varies, based on shade	Metal; White, Ivory, Clear Anodized, Black, Bronze
Square/Curved End Caps	Designed to match fascia			Plastic; White, Ivory, Clear Anodized, Black, Bronze
Top Back Cover	4 11/16" (119 mm)	4 1/2" (114 mm)	Varies, based on shade	Metal; White, Ivory, Clear Anodized, Black, Bronze
Headbox w/ 1-3/8" Closure Plate	4 11/16" (119 mm) headbox 1/2" (13 mm) closure plate	4 11/16" (119 mm) headbox 1 3/8" (35 mm) closure plate	Varies, based on shade	Metal; White, Ivory, Clear Anodized, Black, Bronze
Headbox Caps	Designed to match headbox			Plastic; White, Ivory, Clear Anodized, Black, Bronze

NOTE: Actual maximum shade size is dependent on fabric chosen.

shade operation. It secures to the wall, window frame, or floor to remove slack from the chain. Setting upper and lower limits of the shade is done with stop balls, which are installed onto the chain.

## Crestron Shading Solutions Safety Information

Crestron's manual shades are sold with a chain tension device connected to the shade's looped operating chain. If the chain tension device is not attached to the wall or floor, the shade will not function properly.

A chain tension device reduces the risk of a young child becoming entangled in the operating chain. This device should be used with all looped operating chains on window shades in any environment in which children are or may be present.

Crestron is committed to providing customers with products of the highest quality and workmanship. Safety is important to us, and we are proud to say that safety issues are rare. We will continue to work with organizations such as the Window Covering Safety Council to identify areas where products can benefit from enhanced safety features.

The Window Covering Safety Council (WCSC) and the U.S. Consumer Product Safety Commission (CPSC) are recommending that only cordless window coverings or those with inaccessible cords be used in homes with young children.

Important Safety Guidelines can be found at [www.windowcoverings.org](http://www.windowcoverings.org)

## AVAILABLE MODELS

CSA-BRKT-WMNT-XD: Architectural Wall Mount Bracket (L Brackets)  
CSA-FASCIA-SQR: Square Fascia  
CSA-FASCIA-SQR-LG-EC: Square Fascia End Caps, 2  
CSA-FASCIA-CRV: Curved Fascia  
CSA-FASCIA-RAD-LG-EC: Curved Fascia End Caps, 2  
CSA-HB-LG: Headbox  
CSA-HB-LG-EC: Headbox Caps, 2  
CSA-HB-COVER-FRONT: Headbox Closure Plate 1 3/8"  
CSA-FASCIA-TBC: Top Back Cover  
Clutch bracket  
Idler bracket

Notes:

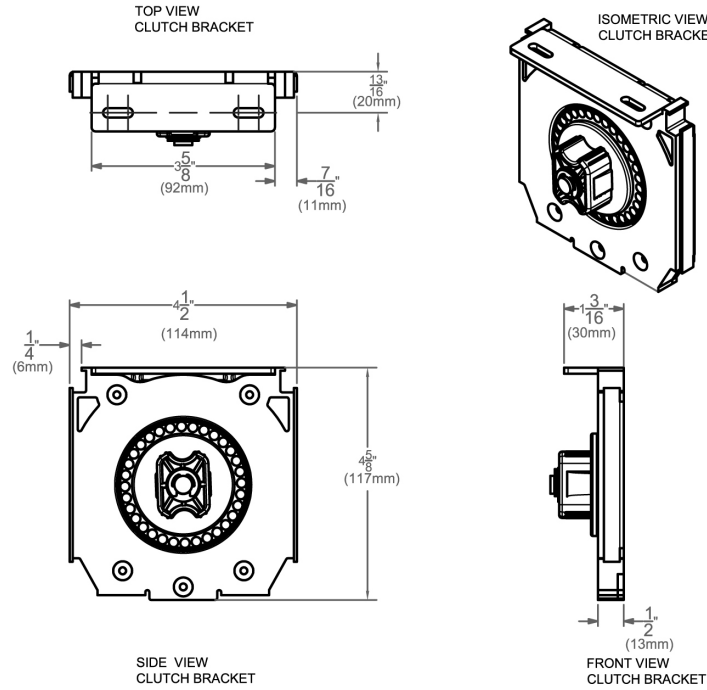
The specific patents that cover Crestron products are listed online at: [patents.crestron.com](http://patents.crestron.com).

Crestron and the Crestron Logo are either trademarks or registered trademarks of Crestron Electronics, Inc. in the United States and/or other countries. Other trademarks, registered trademarks, and trade names may be used in this document to refer to either the entities claiming the marks and names or their products. Crestron disclaims proprietary interest in the marks and names of others. Crestron is not responsible for errors in typography or photography. Specifications are subject to change without notice. ©2014 Crestron Electronics, Inc.

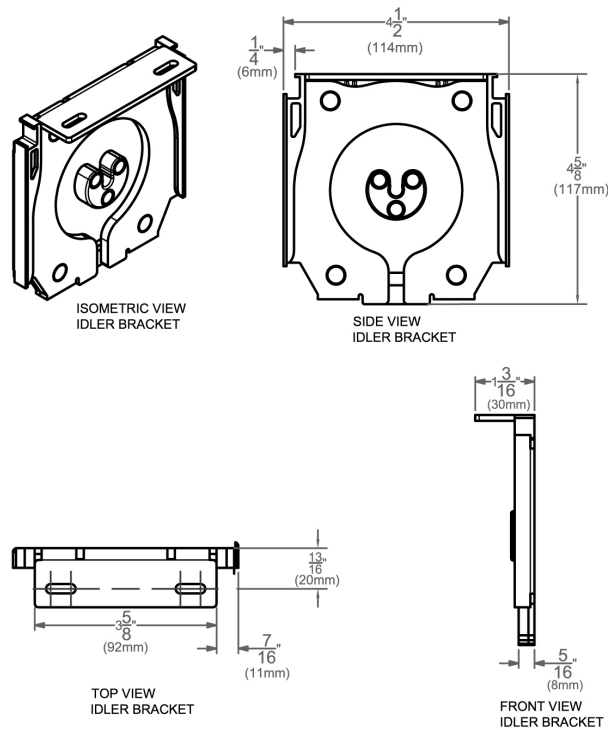
<b>⚠ WARNING</b>	
	The cords on this product present a potential strangulation hazard.
	For child safety, consider cordless alternatives or products with inaccessible cords.
<b>⚠ ADVERTENCIA</b>	
	Los cordones de este producto representan un peligro potencial de estrangulamiento.
	Para la seguridad de los niños, utilice alternativas sin cordón o productos cuyos cordones sean inaccesibles.
<b>⚠ MISE EN GARDE</b>	
	Les câbles de ce produit représentent un danger potentiel de strangulation.
	Pour la sécurité des enfants, pensez au sans fil, ou procurez-vous des produits dont les câbles ne sont pas accessibles.

## CAD DRAWINGS

### Clutch Bracket



### Idler Bracket



# CSS-ARCH-MANUAL-SINGLE Architectural Manual Shades, Single Roll

## CAD DRAWINGS

Exploded view of Architectural Manual Shade, with optional extrusions

