

Wireless Lamp Switch

- > Convenient wireless lamp controller
- > Control system integration via infiNET EX® wireless network
- > Plugs into any standard grounded outlet
- > 600 Watt load rating
- > Single- and dual-channel models available
- > Models available for ground pin down and ground pin up outlet configurations

The CLW-LSWEX is a plug in switch designed to operate as part of a complete Crestron® automation system communicating via the infiNET EX® wireless control network. Without the need for additional control wiring, the CLW-LSWEX easily acts in place of a standard light switch for conventional floor and table lamps.

infiNET EX

Ultra-reliable infiNET EX wireless technology provides steadfast two-way RF communications throughout a residential or commercial structure without the need for physical control wiring. Employing a 2.4 GHz mesh network topology, each infiNET EX device functions as an expander, passing command signals through to every other infiNET EX device within range (approximately 150 feet or 46 meters indoors), ensuring that every command reaches its intended destination without disruption^[1].

The CLW-LSWEX communicates with a Crestron control system via an infiNET EX Wireless Gateway (model CEN-RFGW-EX, DIN-AP3MEX, or MC3^[2]). Up to 100 infiNET EX devices may coexist on a single wireless network, and every non-battery-powered device that is added to the network effectively increases the range and stability of the entire network by providing multiple redundant signal paths^[1]. Built-in Dynamic Frequency Allocation continuously monitors RF conditions, automatically selecting the clearest channel to prevent interference from neighboring networks, cordless phones, and microwaves.

Easy Installation

System design, installation, and upgrades using infiNET EX controlled switches could not be easier. Since there's no control wire required, the CLW-LSWEX can be installed in any outlet and operate like any conventional switch.

SPECIFICATIONS

Load Ratings

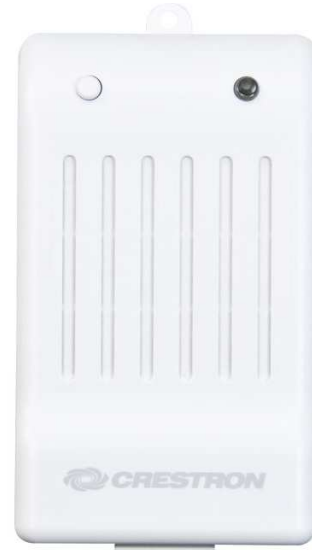
Incandescent/Tungsten Halogen: 600 Watts total^[3]

Magnetic Low Voltage: 600 VA / 450 Watts total^[3]

Wireless

RF Transceiver: infiNET EX® 2-way RF, 2.4 GHz ISM Channels 11-26 (2400 to 2483.5 MHz), default channel 15; IEEE 802.15.4 compliant

Range (typical): 150 ft (46 m) indoor, 250 ft (76 m) outdoor to nearest mesh network device(s); subject to site-specific conditions and individual device capabilities^[1]



Gateway: Requires an infiNET EX gateway^[2]

Controls and Indicators

Power/Setup: (1) Pushbutton per channel with green LED, for load on/off, and setup

Connectors

(1) Grounded AC plug

Power Requirements

120 Volts AC, 60 Hz

Enclosure

Plastic

Environmental

Temperature: 32° to 104°F (0° to 40°C)

Humidity: 10% to 90% RH (non-condensing)

Dimensions

Height: 5.38 in (137 mm)

Width: 3.13 in (80 mm)

Depth: 1.75 in (45 mm)

Weight

Single Channel Model: 6.8 oz (190 g)

Dual Channel Model: 7.8 oz (220 g)

CLW-LSWEX Wireless Lamp Switch

MODELS & ACCESSORIES

Available Models

CLW-LSWEX-1GD-W-T: Single-Channel Wireless Lamp Switch, Ground Pin Down, White Textured

CLW-LSWEX-1GU-W-T: Single-Channel Wireless Lamp Switch, Ground Pin Up, White Textured

CLW-LSWEX-2GD-W-T: Dual-Channel Wireless Lamp Switch, Ground Pin Down, White Textured

Available Accessories

CEN-RFGW-EX: infiNET EX® Wireless Gateway

CEN-RFGW-EX-PWE: infiNET EX® Wireless Gateway w/PoE Injector

MC3: 3-Series Control System® w/infiNET EX®

DIN-AP3MEX: DIN Rail 3-Series® Automation Processor w/infiNET EX®

CLW-EXPEX-GD-W-T: infiNET EX® Wireless Expander, Ground Pin Down, White Textured

GLA-EXPEX: Crestron Green Light® Wireless Expander for infiNET EX® Networks

Notes:

1. Any infiNET EX device that provides expander functionality will effectively extend the range of the wireless network beyond the initial range of the gateway. Battery-powered infiNET EX devices do not provide expander functionality.
2. Item(s) sold separately.
3. Load may be split across both channels in the 2-channel model.

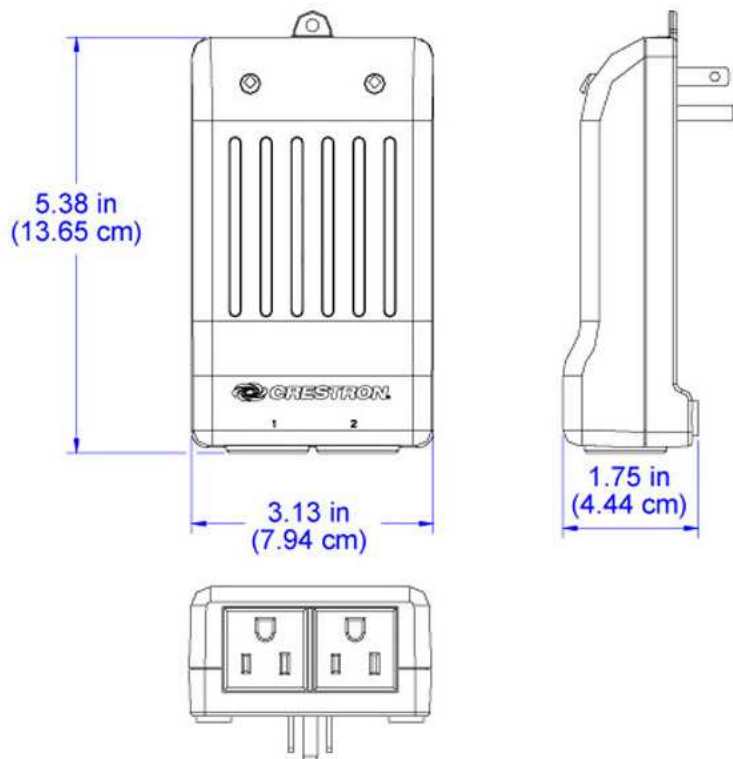
This product may be purchased from an authorized Crestron dealer. To find a dealer, please contact the Crestron sales representative for your area. A list of sales representatives is available online at www.crestron.com/salesreps or by calling 800-237-2041.

The specific patents that cover Crestron products are listed online at: patents.crestron.com.

Crestron, the Crestron logo, 3-Series, 3-Series Control System, Crestron Green Light, and infiNET EX are either trademarks or registered trademarks of Crestron Electronics, Inc. in the United States and/or other countries. Other trademarks, registered trademarks, and trade names may be used in this document to refer to either the entities claiming the marks and names or their products. Crestron disclaims any proprietary interest in the marks and names of others. Crestron is not responsible for errors in typography or photography. Specifications are subject to change without notice. ©2014 Crestron Electronics, Inc.

CAD DRAWINGS

CLW-LSWEX-2GD-W-T



CLW-LSWEX Wireless Lamp Switch

CAD DRAWINGS

CLW-LSWEX-1GD-W-T (Top),
CLW-LSWEX-1GU-W-T (Bottom)

