

CLSI-C6M

iLux® Integrated Lighting System w/Motion Detector - International Version

- > Wall-mount integrated lighting and shade control
- > Six channels of dimming or switching
- > Six groups of shade and drape control
- > Supports Cresnet® Occupancy Sensors and Shades^[2]
- > Linkable for up to 54 lighting channels and 54 shade groups
- > Up to 16 user-settable scenes
- > Seven configurable “rocker” buttons with customizable label strip
- > Large ON and OFF buttons
- > Flip-up front cover reveals setup controls and programming port
- > Six bargraphs show lighting levels and shade positions
- > Easy setup from front panel or iLux® Designer software
- > Built-in motion detector
- > Supports multipoint control using up to 16 keypads
- > Optional IR remote
- > Master air-gap relay
- > Integrates with control systems via Cresnet
- > Energy saving ASHRAE 90.1/LEED compliant
- > Available in almond, black, or white
- > Expanded load type support via CLS-EXP Series modules

The iLux® CLSI-C6M is a complete, integrated lighting system designed for wall mount installation in boardrooms, auditoriums, home theaters, or anywhere versatile and cost-effective control of lighting and shades is required. The Crestron® reputation for innovation and reliability – combined with high-quality integrated dimming, native shade control, configurable rocker buttons, extensive integration ability, and many other advanced features – makes iLux the ideal choice for all types of room lighting and shade control applications.

Six Channel Dimming

The CLSI-C6M features six channels of dimming for LED^[1], incandescent, magnetic low-voltage, neon/cold cathode, and 2-wire dimmable fluorescent loads. On/off switching of many non-dimmable lighting loads is also possible. Each channel will handle up to 800 watts individually, with a total rating of up to 2400 watts for the complete unit. Larger loads and additional load types can also be supported using Crestron CLS-EXP Series expansion modules.

Six Group Shade Control

Using Crestron’s networked Shade and Drape Controllers, the CLSI-C6M enables versatile control of a roomful of motorized window treatments, screens and lifts in up to six shade groups. It also supports Crestron Shades that use Cresnet® communications^[2].

Versatile Front Panel Controls

The deceptively clean front panel actually affords an extensive amount of control and customization to suit each unique room application. Large ON and OFF buttons provide instant access to the “On” and “All Off” scenes, while the six main buttons can be set up to recall additional scene presets, adjust shades, or perform a host of other functions. The buttons’ rocker action enables intuitive, tactile control for adjusting lighting levels and shade



positions. An additional “Up/Down” button is configurable for a variety of functions, including use as a master lighting or shade control, or as a “shift” button to expand the capabilities of the six main buttons.

With each new scene selection, window shades reposition and lights fade elegantly to their new settings. The selected scene is indicated by a white LED beside each button, and the customizable label strip allows each button to be clearly labeled using Crestron Engraver software or standard 3/8” tape labels. Dimming levels and shade positions are displayed graphically on six green LED bargraphs accessible behind the flip-up front cover. Additional controls and a numeric display hidden beneath the cover enable setup without requiring a PC. Enhanced customization is provided via the PC programming port using iLux Designer software.

Built-in Motion Detector

The CLSI-C6M features a built-in infrared motion detector, enabling automated control based on room occupancy. Lights can be programmed to turn on and shades open automatically when someone enters the room, or turn off and close when the room is left empty.

Multipoint Keypad Control

Up to 16 Crestron keypads may be connected to a single CLSI-C6M, providing versatile multipoint control for rooms with multiple entrances or work areas.

Multi-Unit Expansion

One CLSI-C6M master will support up to 8 additional CLSI-C6 or CLSI-C6M units, enabling systems of up to 54 lighting zones and 54 shade groups. Commands for typical functions like scene recall, scene off, master dimming, and occupancy status are shared between the CLSI-C6(M) units. Each individual unit can still support a complete assortment of local devices including keypads and shade controllers.

Control System Integration

The CLSI-C6M features two separate Cresnet control networks, one for local devices and one for connection to a control system. Connecting the CLSI-C6M to a control system allows its functions to be controlled from touch screens, RF wireless remotes, and even computers. The control

system interface also enables extensive flexibility for integration with other systems such as security, HVAC and energy management, plus remote management via SNMP and [Crestron Fusion[®] Enterprise Management Platform](#) applications.

For a solution using Crestron's infiNET™ wireless technology instead of Cresnet, see the [CLSI-C6MRF](#).

SPECIFICATIONS

Load Ratings

Dimmer Channels: 6

Maximum Per Channel: 800 Watts/VA (3.5 Amps @ 230 Volts AC)

Minimum Per Channel: 25 Watts/VA (0.108 Amps @ 230 Volts AC)

Module Total: 2200 Watts/VA (10 Amps @ 220 Volts AC);

2300 Watts/VA (10 Amps @ 230 Volts AC);

2400 Watts/VA (10 Amps @ 240 Volts AC)

Load Types: LED^[1], Incandescent, Magnetic Low-voltage, Neon/Cold Cathode, 2-Wire Dimmable Fluorescent, & Non-Dim Lighting (also: Electronic Low-voltage, 3- and 4-Wire Fluorescent, High-Inrush Switching, & 277V via CLS-EXP Series expansion modules)

Power Requirements

220 to 240 Volts AC, 50/60Hz line power

Connections

LOCAL DEVICES: (1) 4-pin 5mm detachable terminal block;

Cresnet[®] Master port for local devices including:

C2N-DB and CNX-B Series keypads, 16 maximum;

C2N-SSC-2 and C2N-SDC-DC shade controllers; 16 maximum;

Additional CLSI-C6M or CLSI-C6 units, 8 maximum;

Additional CNPWSI-75 or other Cresnet power supply required beyond 4

devices; C2N-SDC-DC always requires an additional power supply

CONTROL SYSTEM: (1) 4-pin 5mm detachable terminal block;

Cresnet Slave port for connection to a control system

HOT: (1) Captive screw terminal^[3], line power input

LOAD1 – LOAD6: (6) Captive screw terminals^[3], dimmer channel outputs 1 – 6

NEUTRAL: (1) Captive screw terminal^[3]

GROUND: (1) Captive screw terminal^[3]

PC (front): (1) 3.5mm TRS mini-phone jack, RS-232 Programming port

Controls

Buttons 1 – 6: (6) 3-position rocker pushbuttons; configurable to recall (or toggle recall/off) individual scenes, control shades, or for master lighting or shade control; “scene mastering” option enables manual dimming utilizing rocker button action; also used to adjust lighting levels when in “Lighting” mode and shade positions when in “Shades” mode; additional functionality configurable via software

Up/Down Button: (1) 3-position rocker pushbutton; configurable for master lighting or shade control, or as a “shift” for Buttons 1-6; additional

functionality configurable via software

ON: (1) pushbutton, recalls “On” scene

OFF: (1) pushbutton, turns all lights off

LIGHTS, SHADES: (2) Pushbuttons, select “Lights” or “Shades” modes

SAVE, CANCEL, UP Arrow, DOWN Arrow: (4) Pushbuttons, navigate and execute setup functions

Reset: Recessed miniature pushbutton for hardware reset

Dimming Ramp Rate: 5 seconds (default), software adjustable 1 to 10 seconds

Scene Fade Time: 2 seconds (default), software adjustable 0 seconds to 99 minutes

LED Indicators

Scenes: (6-white) Correspond with each “Scene” Button

High/Low: (2-white) Indicate “Shift” status

ON: (1-white) Indicates “On” Scene is selected

LIGHTS, SHADES: (2-green) Indicates “Lights” or “Shades” mode is active

SAVE, CANCEL: (2-green) Correspond with “Save” and “Cancel” Buttons

MIN, SEC: (2-green) Indicates display of “Minutes” or “Seconds”

1 – 6: (6-green) 7-Segment bargraphs, indicate lighting levels and shade positions

Numeric Display: (2-green) 8-Segment digits, indicates modes and setup values

IR Receiver

Reception Frequency: 36 kHz

Requires CLS-IRHT8 IR remote, sold separately

Motion Detector

Type: Infrared

Range: 20 to 30 feet at 4 foot elevation

Environmental

Temperature: 32° to 104°F (0° to 40°C)

Humidity: 10% to 90% RH (non-condensing)

Enclosure

Mounts in a 4-gang electrical box, 3-1/2” (89 mm) deep minimum

Dimensions

Height: 4.48 in (114 mm)

Width: 8.89 in (226 mm)

Depth: 2.60 in (67 mm)

Weight

1.43 lb (649 g)

MODELS & ACCESSORIES

Available Models

CLSI-C6MA: iLux Integrated Lighting System with motion detector - International Version, 230V, almond

CLSI-C6MB: iLux Integrated Lighting System with motion detector - International Version, 230V, black

CLSI-C6MW: iLux Integrated Lighting System with motion detector - International Version, 230V, white

Available Accessories

C2N-CBD-E-A-S: Cameo® Express Keypad, Standard Mount, Almond Smooth

C2N-CBD-E-B-S: Cameo® Express Keypad, Standard Mount, Black Smooth

C2N-CBD-E-W-S: Cameo® Express Keypad, Standard Mount, White Smooth

C2N-CBD-P-A-S: Cameo® Keypad, Standard Mount, Almond Smooth

C2N-CBD-P-A-T: Cameo® Keypad, Standard Mount, Almond Textured

C2N-CBD-P-B-S: Cameo® Keypad, Standard Mount, Black Smooth

C2N-CBD-P-B-T: Cameo® Keypad, Standard Mount, Black Textured

C2N-CBD-P-BRN-S: Cameo® Keypad, Standard Mount, Brown Smooth

C2N-CBD-P-DA-S: Cameo® Keypad, Standard Mount, Dark Almond Smooth

C2N-CBD-P-DSK-T: Cameo® Keypad, Standard Mount, Dusk Textured

C2N-CBD-P-GRY-S: Cameo® Keypad, Standard Mount, Gray Smooth

C2N-CBD-P-IVR-S: Cameo® Keypad, Standard Mount, Ivory Smooth

C2N-CBD-P-LAT-T: Cameo® Keypad, Standard Mount, Latte Textured

C2N-CBD-P-W-S: Cameo® Keypad, Standard Mount, White Smooth

C2N-CBD-P-W-T: Cameo® Keypad, Standard Mount, White Textured

C2N-CBF-P-A-T: Cameo® Keypad, Flush Mount, Almond Textured

C2N-CBF-P-B-T: Cameo® Keypad, Flush Mount, Black Textured

C2N-CBF-P-DSK-T: Cameo® Keypad, Flush Mount, Dusk Textured

C2N-CBF-P-LAT-T: Cameo® Keypad, Flush Mount, Latte Textured

C2N-CBF-P-W-T: Cameo® Keypad, Flush Mount, White Textured

CLS-EXP-DIM: iLux® Dimmer Expansion Module

CLS-EXP-DIMFDB: iLux® 3-Wire Fluorescent Dimmer Expansion Module

CLS-EXP-DIMFLV: iLux® 0-10V Fluorescent Dimmer Expansion Module

CLS-EXP-DIMU: iLux® Universal Dimmer Expansion Module

C2N-DB6-W-S: Decorator Keypad, 6-Buttons, White Smooth

C2N-DB6-A-S: Decorator Keypad, 6-Buttons, Almond Smooth

C2N-DB8-W-S: Decorator Keypad, 8-Buttons, White Smooth

C2N-DB8-A-S: Decorator Keypad, 8-Buttons, Almond Smooth

C2N-DB12-W-S: Decorator Keypad, 12-Buttons, White Smooth

C2N-DB12-A-S: Decorator Keypad, 12-Buttons, Almond Smooth

CSC-ACCN: Cresnet® Interface to Somfy® ST50 ILT2 Motor

CSC-DCCN: Cresnet® Interface to Crestron® CSM-QMT30 Shades

CSM-QMT50-DCCN: Crestron® QMT™ Motor for 38-Inch Roller Shades and Larger, Cresnet®

C2N-SDC-DC: Shade and Drape Controller, 24V DC

C2N-SSC-2: Somfy® Shade Controller

CLS-IRHT8: iLux IR Handheld Remote

CNPWSI-75: Cresnet Power Supply, 75 Watts - International Version, 230V

CNX-B2-W-T: Designer Keypad, 2-Buttons, White Textured

CNX-B2-A-T: Designer Keypad, 2-Buttons, Almond Textured

CNX-B2-LAT-T: Designer Keypad, 2-Buttons, Latte Textured

CNX-B2-DSK-T: Designer Keypad, 2-Buttons, Dusk Textured

CNX-B4-W-T: Designer Keypad, 4-Buttons, White Textured

CNX-B4-A-T: Designer Keypad, 4-Buttons, Almond Textured

CNX-B4-LAT-T: Designer Keypad, 4-Buttons, Latte Textured

CNX-B4-DSK-T: Designer Keypad, 4-Buttons, Dusk Textured

CNX-B6-W-T: Designer Keypad, 6-Buttons, White Textured

CNX-B6-A-T: Designer Keypad, 6-Buttons, Almond Textured

CNX-B6-LAT-T: Designer Keypad, 6-Buttons, Latte Textured

CNX-B6-DSK-T: Designer Keypad, 6-Buttons, Dusk Textured

CNX-B8-W-T: Designer Keypad, 8-Buttons, White Textured

CNX-B8-A-T: Designer Keypad, 8-Buttons, Almond Textured

CNX-B8-LAT-T: Designer Keypad, 8-Buttons, Latte Textured

CNX-B8-DSK-T: Designer Keypad, 8-Buttons, Dusk Textured

CNX-B12-W-T: Designer Keypad, 12-Buttons, White Textured

CNX-B12-A-T: Designer Keypad, 12-Buttons, Almond Textured

CNX-B12-LAT-T: Designer Keypad, 12-Buttons, Latte Textured

CNX-B12-DSK-T: Designer Keypad, 12-Buttons, Dusk Textured

CRESNET-HP-NP-TL-SP1000: Cresnet® “High-Power” Control Cable, non-plenum, teal, 1000 ft spool

CRESNET-HP-NP-TL-SP500: Cresnet® “High-Power” Control Cable, non-plenum, teal, 500 ft spool

CRESNET-NP-BK-B500: Cresnet® Control Cable, non-plenum, black, 500 ft box

CRESNET-NP-OR-B500: Cresnet® Control Cable, non-plenum, orange, 500 ft box

CRESNET-NP-TL-B250: Cresnet® Control Cable, non-plenum, teal, 250 ft box

CRESNET-NP-TL-B500: Cresnet® Control Cable, non-plenum, teal, 500 ft box

CRESNET-NP-TL-SP1000: Cresnet® Control Cable, non-plenum, teal, 1000 ft spool

CRESNET-NP-TL-SP500: Cresnet® Control Cable, non-plenum, teal, 500 ft spool

CRESNET-NP-YL-B500: Cresnet® Control Cable, non-plenum, yellow, 500 ft box

CRESNET-P-BK-SP500: Cresnet® Control Cable, plenum, black, 500 ft spool

CRESNET-P-OR-SP500: Cresnet® Control Cable, plenum, orange, 500 ft spool

CRESNET-P-TL-SP1000: Cresnet® Control Cable, plenum, teal, 1000 ft spool

CRESNET-P-TL-SP500: Cresnet® Control Cable, plenum, teal, 500 ft spool

CRESNET-P-YL-SP500: Cresnet® Control Cable, plenum, yellow, 500 ft spool

GLS-ODT-C-CN: Dual-Technology Occupancy Sensor with Cresnet®, 2000 Sq. Ft.

GLS-OIR-C-CN: Passive Infrared Occupancy Sensor with Cresnet®

CLSI-C6M iLux® Integrated Lighting System w/Motion Detector - International Version

Notes:

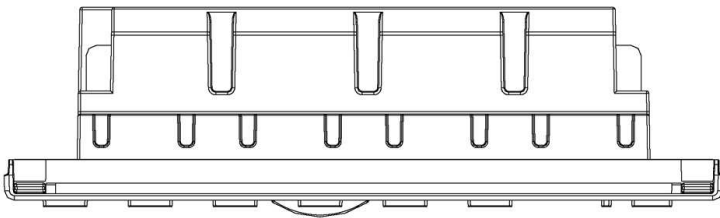
1. For a list of compatible ballasts, visit www.crestron.com/lightingcompatibility (PDF)
2. See Available Accessories list for this product for shade motors and interfaces supported.
3. Captive screw terminals accept up to two 22 to 12 AWG (0.34 to 4.0 mm²) wires per terminal.

This product may be purchased from an authorized Crestron dealer. To find a dealer, please contact the Crestron sales representative for your area. A list of sales representatives is available online at www.crestron.com/salesreps or by calling 800-237-2041.

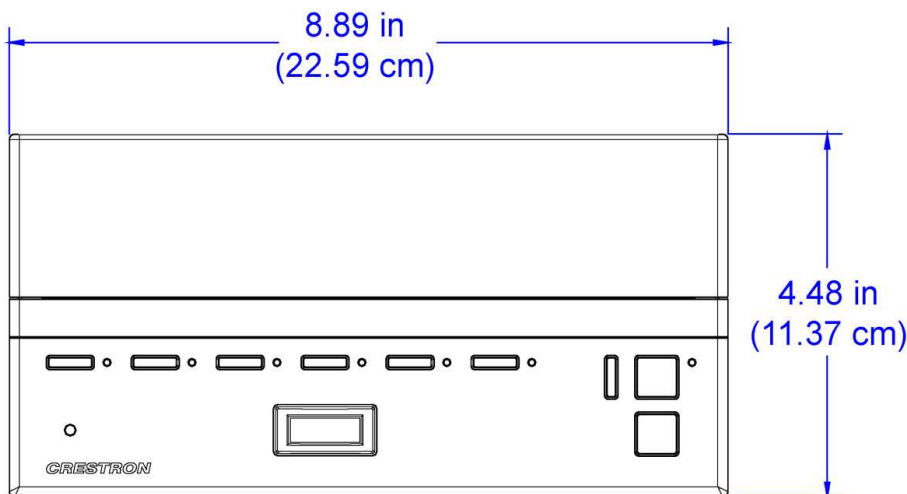
The specific patents that cover Crestron products are listed online at: patents.crestron.com.

Crestron, the Crestron logo, Cameo, Cresnet, Crestron Fusion, infiNET, iLux, and Quiet Motor Technology (QMT) are either trademarks or registered trademarks of Crestron Electronics, Inc. in the United States and/or other countries. Somfy is either a trademark or registered trademark of Somfy Systems Inc. in the United States and/or other countries. Other trademarks, registered trademarks, and trade names may be used in this document to refer to either the entities claiming the marks and names or their products. Crestron disclaims any proprietary interest in the marks and names of others. Crestron is not responsible for errors in typography or photography. Specifications are subject to change without notice. ©2014 Crestron Electronics, Inc.

Top



Front



Side

