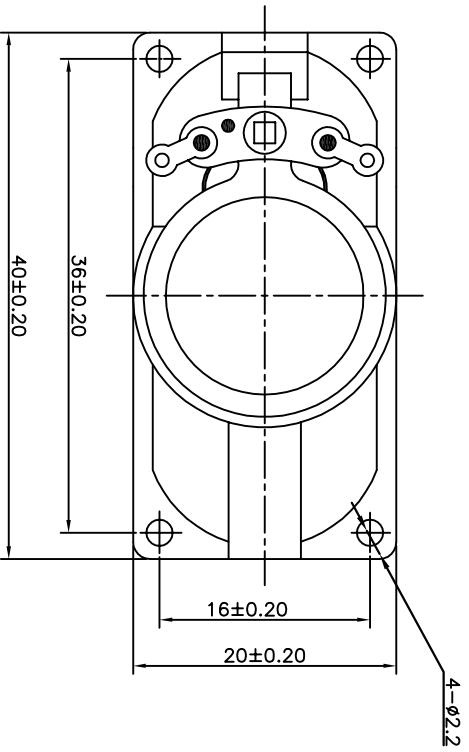
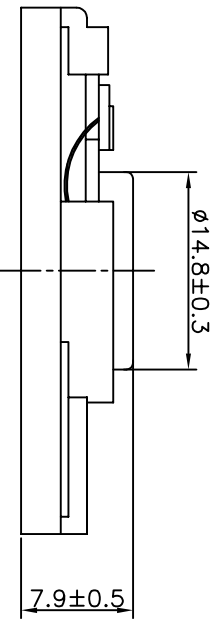


Parameter	Specification
Dimensions	40 x 20 x 8mm
Impedance	8Ω ± 15%
Input Power	1W/2W
Lowest Resonant Frequency, F <sub>0</sub>	700Hz ± 20%
Sensitivity @1W/0.5m	89 ± 3 dB
Effective Frequency Range	F <sub>0</sub> to 10.0 KHz
Total Harmonic Distortion	< 5%



4- $\phi 2.2$



Part No. P4020008NC008AR

40 x 20 mm Speaker

Email: [speakers@stetron.com](mailto:speakers@stetron.com)

Web Site: [www.stetron.com](http://www.stetron.com)

